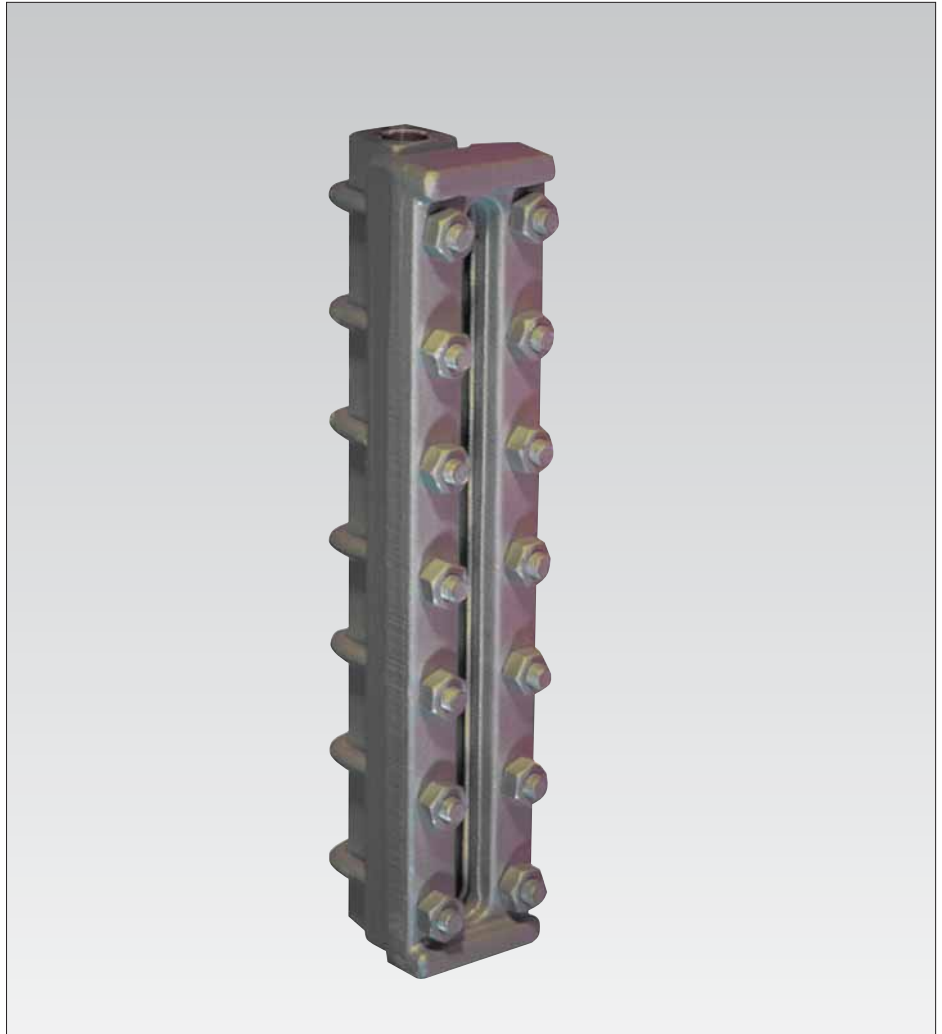
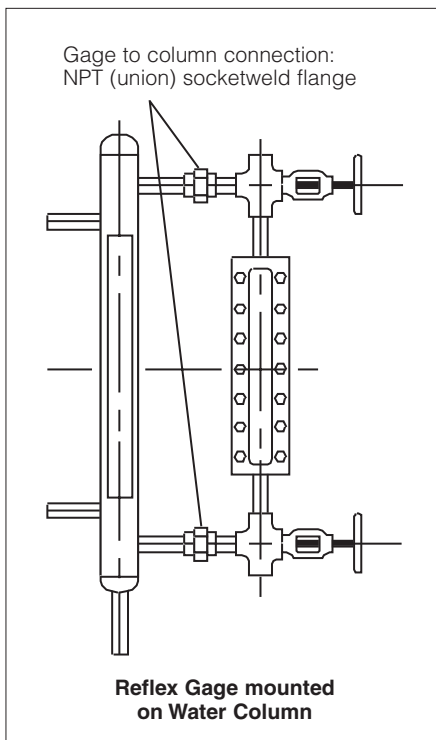




Series 4200 Reflex Flat Glass Liquid Level Gage

Features

- Meets ASME Section 1.
- Gage body chamber one piece steel regardless of number of gage sections.
- Cover-enclosed glass resists breakage.
- Alloy steel nuts and bolts for high temperature service.
- Light refracting grooves in borosilicate make water show black.
- Space above shows light.
- Gasket and cushion are die cut from quality material providing resiliency and long life.



Benefits

- Simple stacked construction provides up to 111 $\frac{1}{2}$ " [282.2 cm] visibility.
- Grooves in glass show easy-to-read water level.
- Illuminators not required.
- Easy to remove and service.
- Low maintenance stuffing box type gage valves.
- Indoor/outdoor installations.

Applications

- Boiler Drum level indication.
- Feedwater heater level indication.
- Other pressurized/unpressurized vessel level indication, i.e. deaerators.
- 4200NB up to 350 psig [24 bar] at saturation temperature with Belleville washers.

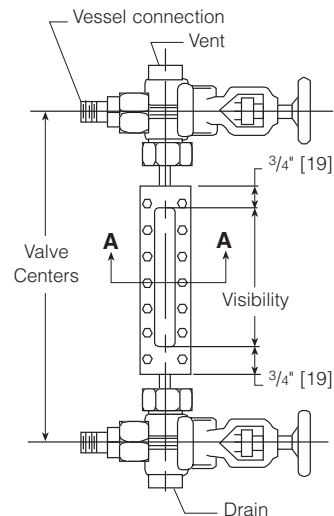
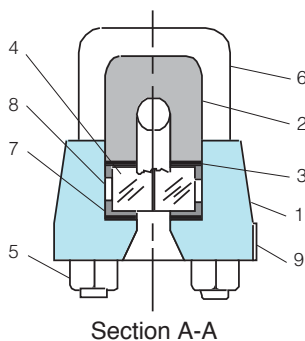
Yarway Series 4200

Reflex Flat Glass Liquid Level Gage

Standard Parts

| Item No. | Part | Material |
|----------------|-----------|------------------------|
| 1 | Cover | ASTM A105 |
| 2 | Chamber | ASTM A515 Gr. 70 |
| 3 [†] | Gasket | Non-asbestos |
| 4 [†] | Glass | Tempered Borosilicate |
| 5 [†] | Nut | ASTM A-194 Gr. 2 or 2H |
| 6 [†] | U-bolt | ASTM A-193 Gr. B-7 |
| 7 [†] | Cushion | Non-asbestos |
| 8 [†] | Band | Rubber |
| 9 | Nameplate | Stainless Steel |

Note: 1. Recommended spare parts.



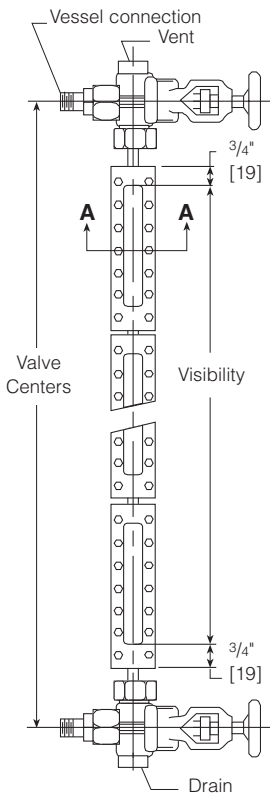
4217B - 4219B

Dimensions, inches [mm]

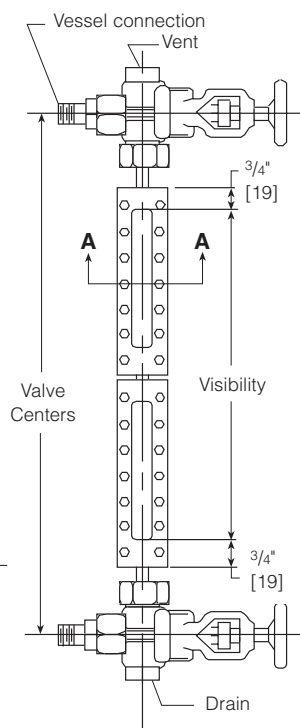
| Model Num. | No. Sect. | Visibility | Minimum* Vessel Centers with Gagecocks: | | | | | |
|------------|-----------|----------------|---|----------------|----------------|--|------|--|
| | | | 4000S/4000T | | 320J** | | 330J | |
| 4211NB | 1 | 3 3/4 [95] | 12 3/4 [324] | 10 7/8 [276] | 7 7/8 [200] | | | |
| 4212NB | 1 | 4 3/4 [121] | 13 3/4 [349] | 11 7/8 [302] | 8 7/8 [225] | | | |
| 4213NB | 1 | 5 3/4 [146] | 14 3/4 [375] | 12 7/8 [327] | 9 7/8 [251] | | | |
| 4214NB | 1 | 6 3/4 [171] | 15 3/4 [400] | 13 7/8 [352] | 10 7/8 [276] | | | |
| 4215NB | 1 | 7 7/8 [200] | 16 7/8 [429] | 15 [381] | 12 [305] | | | |
| 4216NB | 1 | 9 1/8 [232] | 18 1/8 [460] | 16 1/4 [413] | 13 1/4 [337] | | | |
| 4217NB | 1 | 10 1/4 [260] | 19 1/4 [489] | 17 3/8 [441] | 14 3/8 [365] | | | |
| 4218NB | 1 | 11 7/8 [302] | 20 7/8 [530] | 19 [483] | 16 [406] | | | |
| 4219NB | 1 | 12 5/8 [321] | 21 5/8 [549] | 19 3/4 [502] | 16 3/4 [425] | | | |
| 4224NB | 2 | 15 [381] | 24 [610] | 22 1/8 [562] | 19 1/8 [486] | | | |
| 4225NB | 2 | 17 1/4 [438] | 26 1/4 [667] | 24 3/8 [619] | 21 3/8 [543] | | | |
| 4226NB | 2 | 19 3/4 [502] | 28 3/4 [730] | 26 7/8 [683] | 23 7/8 [606] | | | |
| 4227NB | 2 | 22 [559] | 31 [787] | 29 1/8 [740] | 26 1/8 [664] | | | |
| 4228NB | 2 | 25 1/4 [641] | 34 1/4 [870] | 32 3/8 [822] | 29 3/8 [746] | | | |
| 4229NB | 2 | 26 3/4 [679] | 35 3/4 [908] | 33 7/8 [860] | 30 7/8 [784] | | | |
| 4236NB | 3 | 30 3/8 [772] | 39 3/8 [1000] | 37 1/2 [953] | 34 1/2 [876] | | | |
| 4237NB | 3 | 33 3/4 [857] | 42 3/4 [1086] | 40 7/8 [1038] | 37 7/8 [962] | | | |
| 4238NB | 3 | 38 5/8 [981] | 47 5/8 [1210] | 45 3/4 [1162] | 42 3/4 [1086] | | | |
| 4239NB | 3 | 40 7/8 [1038] | 49 7/8 [1267] | 48 [1219] | 45 [1143] | | | |
| 4247NB | 4 | 45 1/2 [1156] | 54 1/2 [1384] | 52 5/8 [1337] | 49 5/8 [1260] | | | |
| 4248NB | 4 | 52 [1321] | 61 [1549] | 59 1/8 [1502] | 56 1/8 [1426] | | | |
| 4249NB | 4 | 55 [1397] | 64 [1626] | 62 1/8 [1578] | 59 1/8 [1502] | | | |
| 4257NB | 5 | 57 1/4 [1454] | 66 1/4 [1683] | 64 3/8 [1635] | 61 3/8 [1559] | | | |
| 4258NB | 5 | 65 3/8 [1661] | 74 3/8 [1889] | 72 1/2 [1842] | 69 1/2 [1765] | | | |
| 4259NB | 5 | 69 1/8 [1756] | 78 1/8 [1984] | 76 1/4 [1937] | 73 1/4 [1861] | | | |
| 4268NB | 6 | 78 3/4 [2000] | 87 3/4 [2229] | 85 7/8 [2181] | 82 7/8 [2105] | | | |
| 4269NB | 6 | 83 1/4 [2115] | 92 1/4 [2343] | 90 3/8 [2296] | 87 3/8 [2219] | | | |
| 4278NB | 7 | 92 1/8 [2340] | 101 1/8 [2569] | 99 1/4 [2521] | 96 1/4 [2445] | | | |
| 4279NB | 7 | 97 3/8 [2473] | 106 3/8 [2702] | 104 1/2 [2654] | 101 1/2 [2578] | | | |
| 4288NB | 8 | 105 1/2 [2680] | 114 1/2 [2908] | 112 5/8 [2861] | 109 5/8 [2784] | | | |
| 4289NB | 8 | 111 1/2 [2832] | 120 1/2 [3061] | 118 5/8 [3013] | 115 5/8 [2937] | | | |
| 4298NB | 9 | 118 7/8 [3019] | 127 7/8 [3248] | 126 [3200] | 123 [3124] | | | |
| 4299NB | 9 | 125 5/8 [3191] | 134 5/8 [3419] | 132 3/4 [3372] | 129 3/4 [3296] | | | |

* With 1/2" NPT end-connected gage. For 3/4" NPT end-connect, add 1/2" to 320J and 330J minimums.

** Standard Fem union.



4237B - 4289B



4227B - 4229B

How to interpret the model numbers:

- 42 - 4200 Reflex Gage
- 1 - Number of body sections
- 7 - Glass size (for different visibilities) 1 - 9
- N - Nipple connections (to gage valves)
- B - Belleville washers

Tyco Flow Control (TFC) provides the information herein in good faith but makes no representation as to its comprehensiveness or accuracy. This data sheet is intended only as a guide to TFC products and services. Individuals using this data sheet must exercise their independent judgment in evaluating product selection and determining product appropriateness for their particular purpose and system requirements. TFC MAKES NO REPRESENTATIONS OR WARRANTIES, EITHER EXPRESS OR IMPLIED, INCLUDING WITHOUT LIMITATION ANY WARRANTIES OF MERCHANTABILITY OR FITNESS FOR A PARTICULAR PURPOSE WITH RESPECT TO THE INFORMATION SET FORTH HEREIN OR THE PRODUCT(S) TO WHICH THE INFORMATION REFERS. ACCORDINGLY, TFC WILL NOT BE RESPONSIBLE FOR DAMAGES (OF ANY KIND OR NATURE, INCLUDING INCIDENTAL, DIRECT, INDIRECT, OR CONSEQUENTIAL DAMAGES) RESULTING FROM THE USE OF OR RELIANCE UPON THIS INFORMATION. Patents and Patents Pending in the U.S. and foreign countries. Tyco reserves the right to change product designs and specifications without notice. All registered trademarks are the property of their respective owners. Printed in the USA.