



Agency Approvals:

Model 9358: Type 4, 4X Enclosures (NEMA 4, 4X)

Model 9044: Type 4 Enclosure (NEMA 4)

Product Overview

AccuTrak™ Rotary Position Monitors with Magnum Limit Switches (hermetically sealed proximity type sensor). Five year warranty on switches.

9358 – Engineered Resin Enclosure

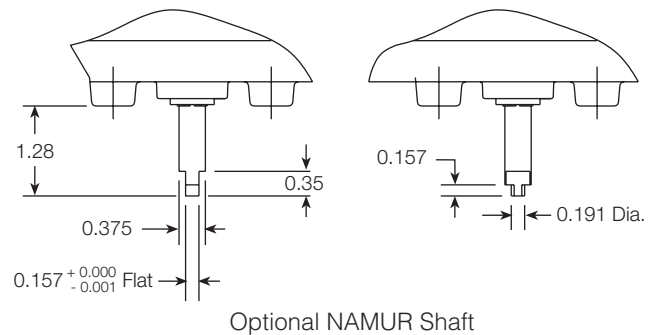
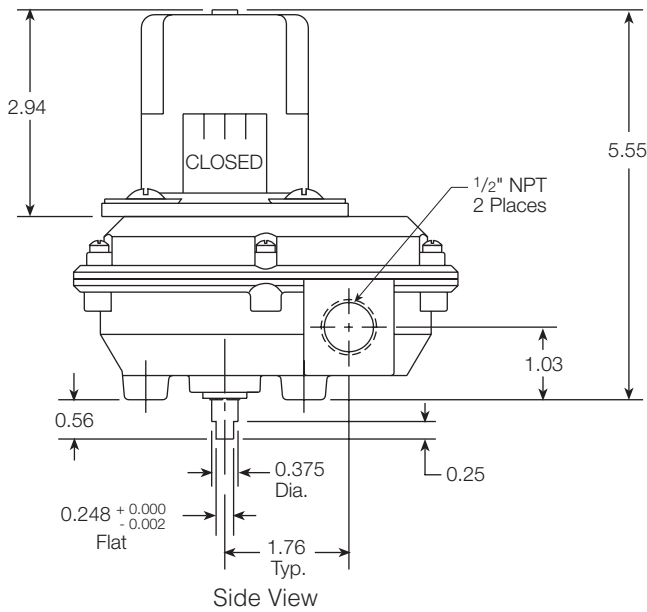
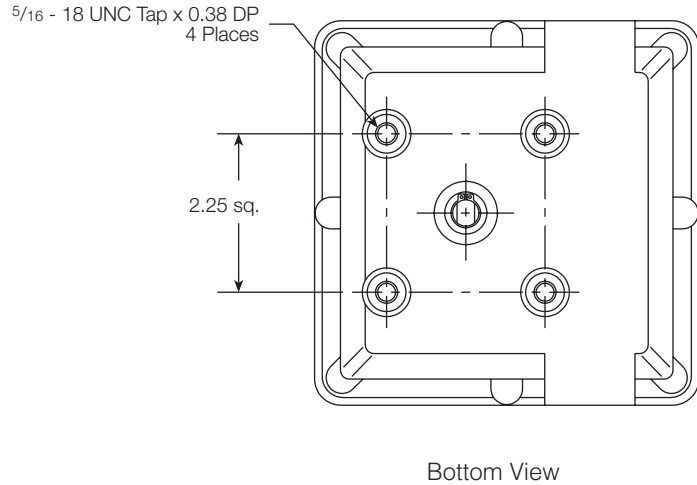
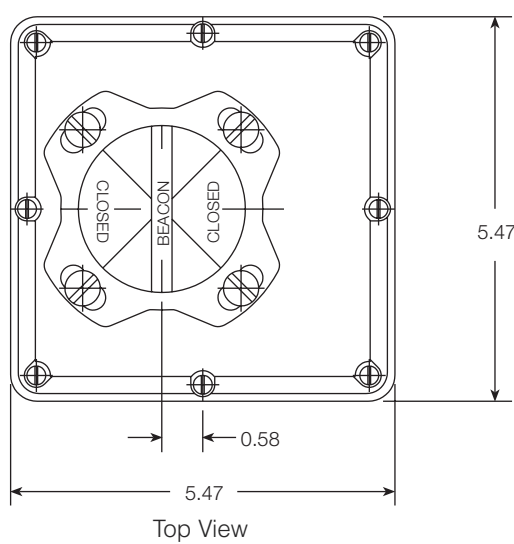
9044 – Aluminum Enclosure with powder coat finish

Features and Benefits

- Magnum limit switches with Rhodium contacts recommended for use with low power I/O's for longer contact life.
- The Westlock Beacon is manufactured from a high impact strength and corrosion resistant co-polyester that offers 360 degree instant visual recognition of valve position from up to 150 feet away.
- Touch set cams are hand adjustable, spring loaded and self-locking providing quick calibration of position sensors.
- Terminal strips are pre-wired and numbered with generous working space for ease of use.
- All units are standard with an additional conduit for easy field wiring and mounting accessories.
- All AccuTrak™ and Quantum products utilize a standardized mounting pattern for easy adaptation to common bracketry.
- Low copper content aluminum enclosures (0.2% maximum copper content) help ensure robust performance in corrosive environments.
- Captive screws on cover prevent lost screws during installation and maintenance.
- NAMUR shaft output compliant to VDI/VDE 3845 available.
- Premium engineered resin helps allow the broadest operating temperature range in the industry, extreme chemical resistance and superior durability.



Dimensions Model 9358



Technical Specifications

Materials of Construction

Enclosure Model 9358: Glass filled nylon resin
 Model 9044: Aluminum with polyester powder coat
 Shaft and hardware: Stainless steel
 Internal threaded inserts (Model 9358 only): Brass
 Beacon visual indicator: Co-polyester

Available Switches

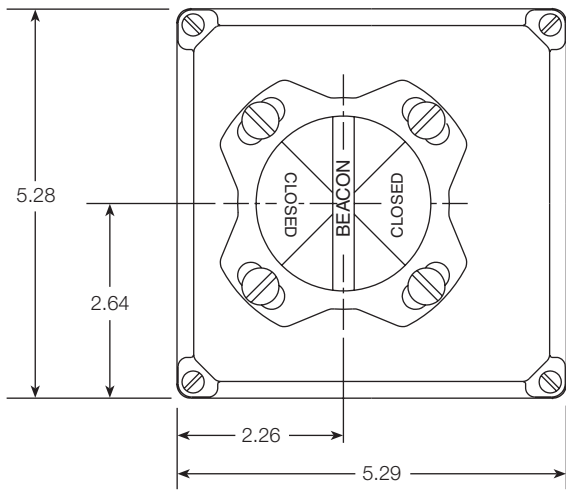
- Magnum, SPDT hermetically sealed switches, with Tungsten contacts
 - Magnum, SPDT hermetically sealed switches, with Rhodium contacts
- For switch electrical ratings see reference section*

Important Application Notes: For very low power sensing applications, Power \leq 240 mW (24 VDC @10 mA for example) Magnum sensors with Rhodium contacts, M12 (SPDT), MUST be used.

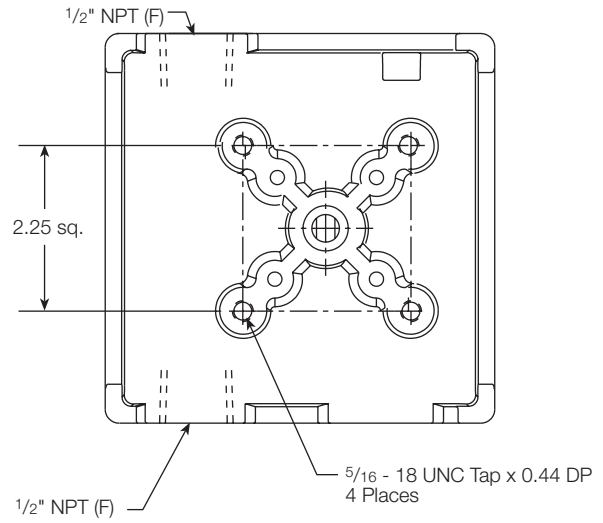
Magnum and Sensors Only PLC input modules utilize capacitors to filter out electrical noise. Newer, more sensitive designs have higher input impedances and lower operating currents and thus require higher values of capacitance for filtration.

If the DI card Capacitance \geq 0.01 μ F a resistor of appropriate size MUST be used in series with the switch contacts to prevent the capacitive discharge from damaging the switch contacts. As an alternative, specify the MagPAC. Please contact your sales representative for resistor sizing, capacitance measurement procedure and other required information.

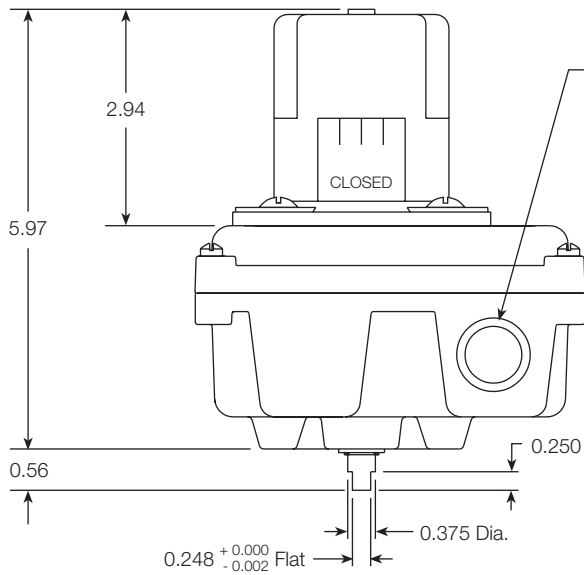
Dimensions Model 9044



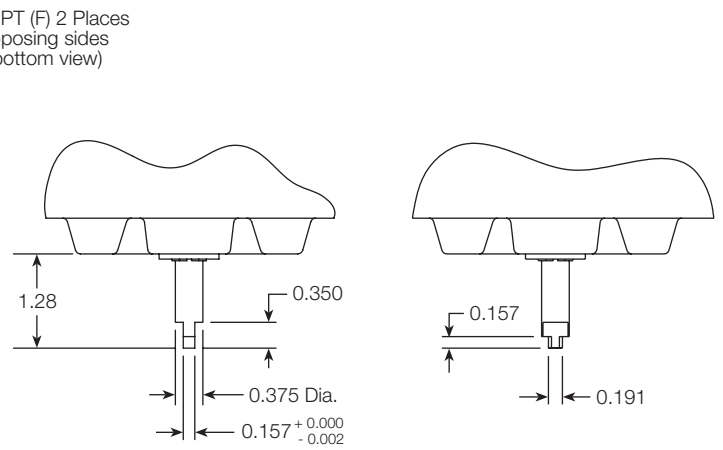
Top View



Bottom View



Side View



Optional NAMUR Shaft

Ordering Guide**Base Model**

9358 Engineered Resin Enclosure
 9044 Aluminum Enclosure

Shaft Output

S Standard (Double-D with 1/4" Flats)
 N NAMUR
 D Direct Mount (Modmount system included for Keystone MRP and 79U actuators)

Beacon

BY BM2-Y (Standard)
 RG BM2-RG
 FE BM2-Y-FE (French/English)
 AB BM2-B
 AR BM2-R
 B1 BM3-1
 B3 BM3-3
 B5 BM3-5
 B7 BM3-7
 B9 BM3-9
 FC Flat Cover

Conduit

2A Two 1/2" NPT (F)

Position Switches

2M06 Two SPDT Magnum Switches - 8 pt. TS
 2M12 Two SPDT Magnum Switches with Rhodium Contacts - 8 pt. TS
 2M13 MagPAC Module (Two SPST Bifurcated switches with LEDs/Available w/9044 only)

Analog Position Transmitter

00 Not Available

9044 N BY 2A 2M13 00 = Model Number **9044NBY2A2M1300**

Position switch application note:

For 120 VAC service, M13 (MagPAC) is recommended.

For 24 VDC service below 1 watt, M12 (Rhodium Magnum switches) or M13 (MagPAC) is recommended.

For 24 VDC service above 1 watt, M06 (Tungsten Magnum switches) or M13 (MagPAC) is recommended.

USA/Canada: Saddle Brook, NJ
 Ph: 201-794-7650
 Dedicated Order Fax: 201-794-4790
 General Fax: 201-794-0913
www.westlockcontrols.com

Europe/Asia: Kent, England
 Ph: + 44 189 251 6277
 Fax: + 44 189 251 6279
www.westlockuk.com

South America: Barueri, Sao Paulo
 Ph: + 55 11 2588 1400
 Fax: + 55 11 2588 1410
www.westlock.com.br

Tyco Flow Control (TFC) provides the information herein in good faith but makes no representation as to its comprehensiveness or accuracy. This data sheet is intended only as a guide to TFC products and services. Individuals using this data sheet must exercise their independent judgment in evaluating product selection and determining product appropriateness for their particular purpose and system requirements. TFC MAKES NO REPRESENTATIONS OR WARRANTIES, EITHER EXPRESS OR IMPLIED, INCLUDING WITHOUT LIMITATION ANY WARRANTIES OF MERCHANTABILITY OR FITNESS FOR A PARTICULAR PURPOSE WITH RESPECT TO THE INFORMATION SET FORTH HEREIN OR THE PRODUCT(S) TO WHICH THE INFORMATION REFERS. ACCORDINGLY, TFC WILL NOT BE RESPONSIBLE FOR DAMAGES (OF ANY KIND OR NATURE, INCLUDING INCIDENTAL, DIRECT, INDIRECT, OR CONSEQUENTIAL DAMAGES) RESULTING FROM THE USE OF OR RELIANCE UPON THIS INFORMATION. Patents and Patents Pending in the U.S. and foreign countries. Tyco reserves the right to change product designs and specifications without notice. All registered trademarks are the property of their respective owners. Printed in the USA.