



Agency Approvals: Non-incendive
Class I, Division 2, Groups A, B, C & D/ T4
Class II & III, Division 2, Groups F & G

Intrinsically Safe
Class I, II & III, Division 1, Groups A, B,
C, D, E, F & G/ T4

Type 4, 4X Enclosures (NEMA 4, 4X)

Product Overview

The model K10 EaziCal electro-pneumatic positioner is the first of its kind having calibration by a simple automatic calibration button. The K10 EaziCal positioner brings a new level of efficiency to operating personnel responsible for the calibration of I/P positioners.

K10 – Engineered resin enclosure,
push-button auto calibration

Features and Benefits

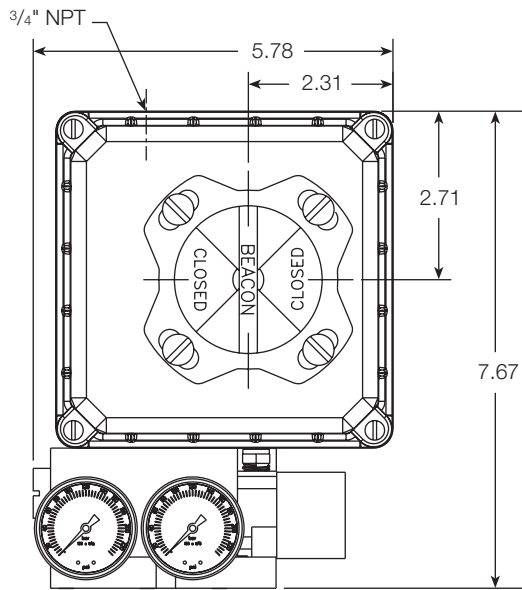
- Fast calibration through a simple push button automatic calibration procedure.
- Certified Non-incendive or Intrinsically Safe.
- Beacon Black/Yellow visual position monitor. The beacon provides confirmation of position that is visible up to 150 feet away.
- Optional end-of-travel limit switches or 4-20 mA feedback transmitter available.
- Corrosion resistant engineered resin NEMA 4, 4X enclosure standard.
- Optional high flow transducer.



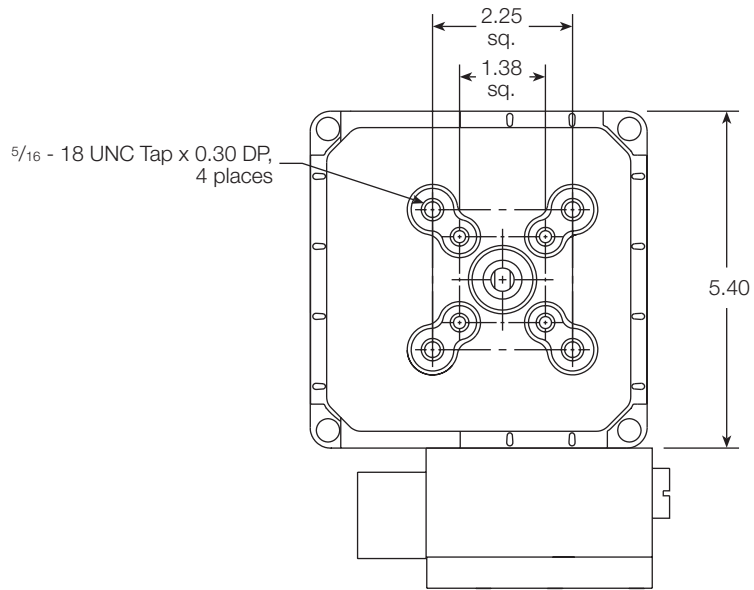
Westlock™ K10 EaziCal

Electro-Pneumatic Positioner, Non-incendive or Intrinsically Safe

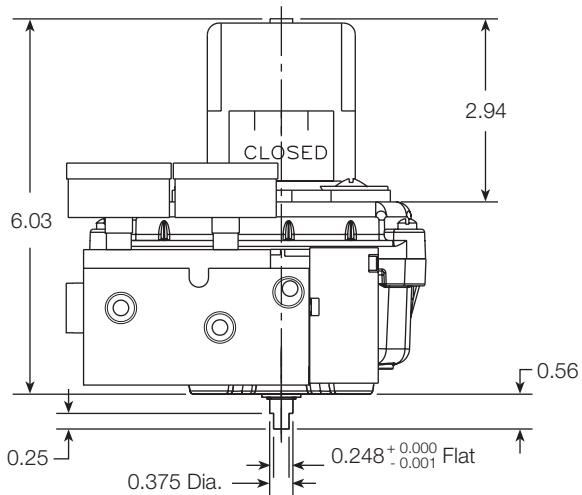
Dimensions



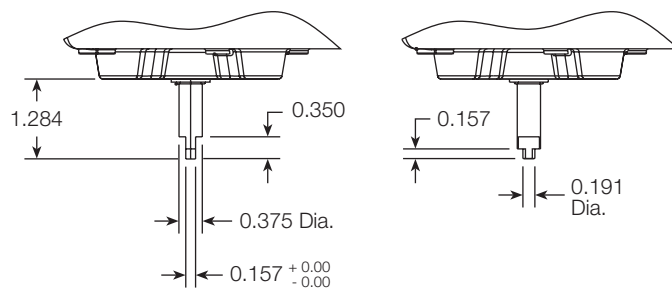
Top View



Bottom View



Side View



Optional NAMUR Shaft

Technical Specifications

Input current	4-20 mA (analog)
Voltage drop	9 volts
Supply air pressure	(low) 15 to 45 psi, (high) 40 to 120 psi
Resolution	0.2% of span
Linearity	±1% of span
Hysteresis	0.2% of span
Repeatability	0.2% of span
Thermal coefficient	[2%/100°C]
Output flow rates	(low) 8.0 scfm @ 25 psi, (high) 16.2 scfm @ 90 psi
Air consumption	(low) 0.03 scfm @ 20 psi, (high) 0.08 scfm @ 90 psi
Gain	Electronically adjustable
Air Connection Ports	1/4" NPT

Materials of Construction NI & I/S

Housing	Engineered Resin
Cover	Clear Engineered Resin
Manifold	Anodized Aluminum
Conduit	Stainless 3/4" NPT
Shaft	Stainless Steel
Hardware	Stainless Steel

Micro-Switch V3 SPDT (V3)

Amps	VAC	VDC
15	125	
15	250	
10		24
0.50		125
0.25		125

Ordering Guide

Base Model

K10 Electro-Pneumatic Positioner
[4-20 mA Input Positioner, Engineered Resin Enclosure with one 3/4" NPT (F)]

Area Classification

N Non-incendive
I Intrinsically Safe

Shaft Output

S Standard (Double-D with 1/4" Flats)
N NAMUR
D Direct Mount to Keystone 79U or MRP actuator

Supply Pressure

H High Pressure (40 - 120 psi)
L Low Pressure (15 - 45 psi)
V High Flow (40 - 120 psi, for large actuators)

Manifold Material

0 Aluminum

Output Options

0 No Option
B Two SPDT mechanical switches
E 4-20 mA Transmitter

Filter Option

F 1/4" NPT with filter-regulator assembly
(3/8" NPT with high flow option)

K10 N N L 0 E = Model Number **K10NNL0E**

Note: Using Output Option "B", Two SPDT Mechanical Switches, voids the Non-incendive approval of the K10 EaziCal which must then be used as a General Purpose device only.

Westlock™ K10 EaziCal

Electro-Pneumatic Positioner, Non-incendive or Intrinsically Safe

USA/Canada: Saddle Brook, NJ
Ph: 201-794-7650
Dedicated Order Fax: 201-794-4790
General Fax: 201-794-0913
www.westlockcontrols.com

Europe/Asia: Kent, England
Ph: + 44 189 251 6277
Fax: + 44 189 251 6279
www.westlockuk.com

South America: Barueri, Sao Paulo
Ph: + 55 11 2588 1400
Fax: + 55 11 2588 1410
www.westlock.com.br

Tyco Flow Control (TFC) provides the information herein in good faith but makes no representation as to its comprehensiveness or accuracy. This data sheet is intended only as a guide to TFC products and services. Individuals using this data sheet must exercise their independent judgment in evaluating product selection and determining product appropriateness for their particular purpose and system requirements. TFC MAKES NO REPRESENTATIONS OR WARRANTIES, EITHER EXPRESS OR IMPLIED, INCLUDING WITHOUT LIMITATION ANY WARRANTIES OF MERCHANTABILITY OR FITNESS FOR A PARTICULAR PURPOSE WITH RESPECT TO THE INFORMATION SET FORTH HEREIN OR THE PRODUCT(S) TO WHICH THE INFORMATION REFERS. ACCORDINGLY, TFC WILL NOT BE RESPONSIBLE FOR DAMAGES (OF ANY KIND OR NATURE, INCLUDING INCIDENTAL, DIRECT, INDIRECT, OR CONSEQUENTIAL DAMAGES) RESULTING FROM THE USE OF OR RELIANCE UPON THIS INFORMATION. Patents and Patents Pending in the U.S. and foreign countries. Tyco reserves the right to change product designs and specifications without notice. All registered trademarks are the property of their respective owners. Printed in the USA.