



Agency Approvals:

Class I, Division 2, Groups A, B, C & D

Class II, Division 2, Groups F & G

Type 4, 4X Enclosures (NEMA 4, 4X)

Product Overview

AccuTrak™ Rotary Position Monitors with Magnum (hermetically sealed proximity type) sensors or MagPAC Bifurcated Switch Pac.

9468 – Engineered Resin Enclosure

Features and Benefits

- Magnum with Rhodium contacts recommended for use with low power I/O's for longer contact life.
- The MagPac is designed for low power and non-resistive loads. The wiping and snap action of the switches prevent oxide build up and contact welding.
- MagPAC LEDs provide clear visual indication of open and closed limit switch actuation and solenoid energization where applicable.
- The Westlock™ Beacon is manufactured from a high impact strength and corrosion resistant co-polyester that offers 360 degree instant visual recognition of valve position from up to 150 feet away.
- Touch set cams are hand adjustable, spring loaded and self-locking providing quick calibration of position sensors.
- Terminal strips are pre-wired and numbered with generous working space for ease of use.
- All units are standard with an additional conduit for easy field wiring and mounting accessories.
- All AccuTrak™ and Quantum products utilize a standardized mounting pattern for easy adaptation to common bracketry.
- Robust stainless steel conduit entry inserts provide protection from excessive torque and reliable grounding.
- Captive screws on cover prevent lost screws during installation and maintenance.
- NAMUR shaft output compliant to VDI/VDE 3845 available.

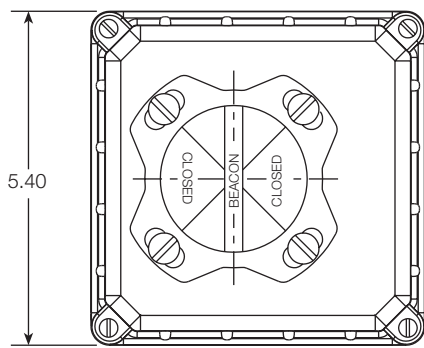


- Premium engineered resin helps allow the broadest operating temperature range in the industry, extreme chemical resistance and superior durability.
- Grilamid® resin provides a robust lightweight alternative to metal enclosures with excellent chemical, UV and impact resistance. With a clear cover option sensor status LEDs are easily visible.

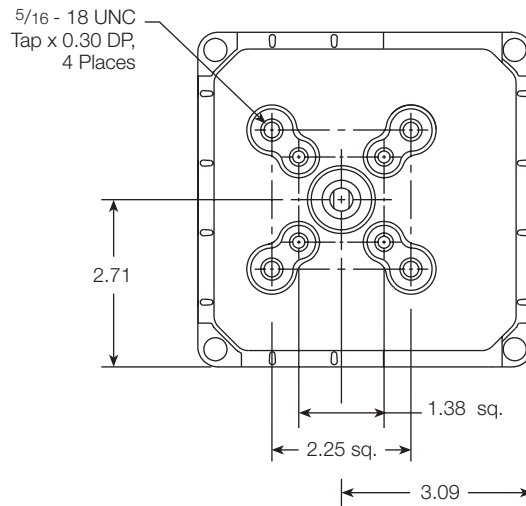


Westlock is either a trademark or registered trademark of Tyco International Services AG or its affiliates in the United States and/or other countries. All other brand names, product names, or trademarks belong to their respective holders.

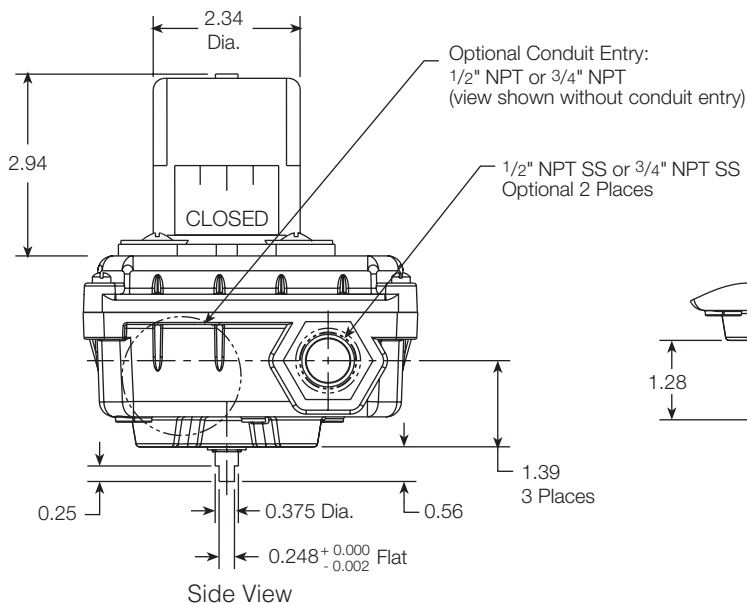
Dimensions



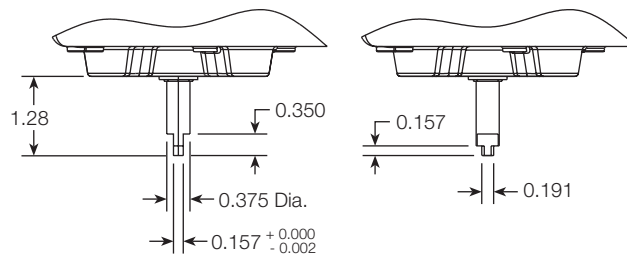
Top View



Bottom View



Side View



Optional NAMUR Shaft

Technical Specifications

Materials of Construction

Enclosure: Engineered polyamide resin
Shaft and hardware: Stainless steel
Beacon visual indicator: Co-polyester

Options

4-20 mA position transmitter

For transmitter specifications see reference section

Available Switches

- Magnum, SPDT hermetically sealed switches, with Tungsten contacts
- Magnum, SPDT hermetically sealed switches, with Rhodium contacts
- MagPAC Switchpac, SPST normally open with LED indication

For switch electrical ratings see reference section

Important Application Notes: For very low power sensing applications, Power \leq 240 mW (24 VDC @10 mA for example) Magnum sensors with Rhodium contacts, M12 (SPDT), MUST be used.

Magnum and Sensors Only PLC input modules utilize capacitors to filter out electrical noise. Newer, more sensitive designs have higher input impedances and lower operating currents and thus require higher values of capacitance for filtration.

If the DI card Capacitance \geq 0.01 μ F a resistor of appropriate size MUST be used in series with the switch contacts to prevent the capacitive discharge from damaging the switch contacts. As an alternative, specify the MagPAC. Please contact your sales representative for resistor sizing, capacitance measurement procedure and other required information.

Ordering Guide (Quick ship options are in bold)

Base Model

9468 Engineered Resin Enclosure

Shaft Output

- S Standard (Double-D with 1/4" Flats)
- N NAMUR**
- D Direct Mount (Modmount system included for Keystone MRP and 79U actuators)

Beacon

- BY BM2-Y (Standard)**
- RG BM2-RG
- FE BM2-Y-FE (French/English)
- AB BM2-B
- AR BM2-R
- B1 BM3-1
- B3 BM3-3
- B5 BM3-5
- B7 BM3-7
- B9 BM3-9
- FC Flat Cover

Conduit

- 2A Two 1/2" NPT (F)**
- 2B Two 3/4" NPT (F)
- 2G One 1/2" NPT (F) and One 1/2" NPT (M) Eliminator Fitting*

Position Switches

- 2M06 Two SPDT Magnum Switches - 8 pt. TS**
- 2M12 Two SPDT Magnum Switches with Rhodium contacts - 8 pt. TS**
- 2M13 MagPAC Module (Two SPST Bifurcated switches with LEDs)**
Note: MagPAC is standard with clear cover
- 4M06 Four SPDT Magnum Switches - 16 pt. TS
- 4M12 Four SPDT Magnum Switches with Rhodium contacts - 16 pt. TS

Analog Position Transmitter

- 00 None**
- CS 4-20 mA Position Transmitter - 12 pt. TS (with 2M06 and 2M12 only)

9468 N BY 2A 2M13 00 = **Model Number 9468NBY2A2M1300**

* Eliminator Fitting is 1/2" NPT (M) for the purpose of mounting an after market solenoid valve.

Position switch application note:

For 120 VAC service, M13 (MagPAC) is recommended.

For 24 VDC service below 1 watt, M12 (Rhodium Magnum switches) or M13 (MagPAC) is recommended.

For 24 VDC service above 1 watt, M06 (Tungsten Magnum switches) or M13 (MagPAC) is recommended.

Note: For 316 stainless steel enclosure, please add "00124" to the end of your part number built with the above ordering guide.

USA/Canada: Saddle Brook, NJ
Ph: 201-794-7650
Dedicated Order Fax: 201-794-4790
General Fax: 201-794-0913
www.westlockcontrols.com

Europe/Asia: Kent, England
Ph: + 44 189 251 6277
Fax: + 44 189 251 6279
www.westlockuk.com

South America: Barueri, Sao Paulo
Ph: + 55 11 2588 1400
Fax: + 55 11 2588 1410
www.westlock.com.br

Tyco Flow Control (TFC) provides the information herein in good faith but makes no representation as to its comprehensiveness or accuracy. This data sheet is intended only as a guide to TFC products and services. Individuals using this data sheet must exercise their independent judgment in evaluating product selection and determining product appropriateness for their particular purpose and system requirements. TFC MAKES NO REPRESENTATIONS OR WARRANTIES, EITHER EXPRESS OR IMPLIED, INCLUDING WITHOUT LIMITATION ANY WARRANTIES OF MERCHANTABILITY OR FITNESS FOR A PARTICULAR PURPOSE WITH RESPECT TO THE INFORMATION SET FORTH HEREIN OR THE PRODUCT(S) TO WHICH THE INFORMATION REFERS. ACCORDINGLY, TFC WILL NOT BE RESPONSIBLE FOR DAMAGES (OF ANY KIND OR NATURE, INCLUDING INCIDENTAL, DIRECT, INDIRECT, OR CONSEQUENTIAL DAMAGES) RESULTING FROM THE USE OF OR RELIANCE UPON THIS INFORMATION. Patents and Patents Pending in the U.S. and foreign countries. Tyco reserves the right to change product designs and specifications without notice. All registered trademarks are the property of their respective owners. Printed in the USA.