



Product Overview

AccuTrak™ Rotary Position Monitors with mechanical switches.

1040 – Engineered Resin Enclosure

2004 – Aluminum Enclosure with powder coat finish

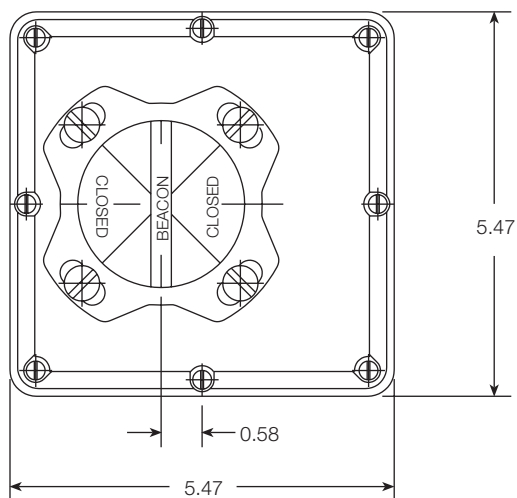
Features and Benefits

- The Westlock™ Beacon is manufactured from a high impact strength and corrosion resistant co-polyester that offers 360 degree instant visual recognition of valve position from up to 150 feet away.
- Touch set cams are hand adjustable, spring loaded and self-locking providing quick calibration of position sensors.
- Terminal strips are pre-wired and numbered with generous working space for ease of use.
- All units are standard with an additional conduit for easy field wiring and mounting accessories.
- All AccuTrak™ and Quantum products utilize a standardized mounting pattern for easy adaptation to common bracketry.
- Low copper content aluminum enclosures (0.2% maximum copper content) helps ensure robust performance in corrosive environments.
- Captive screws on cover prevent lost screws during installation and maintenance.
- NAMUR shaft output compliant to VDI/VDE 3845 available.
- Premium engineered resin helps allow the broadest operating temperature range in the industry, extreme chemical resistance and superior durability.

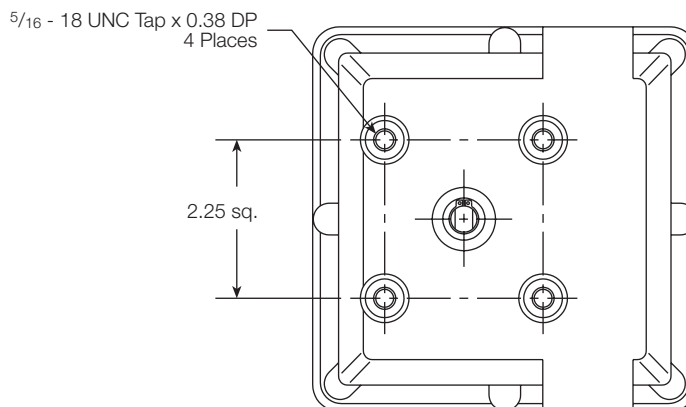
Agency Approvals:
Type 4, 4X Enclosures (NEMA 4, 4X)



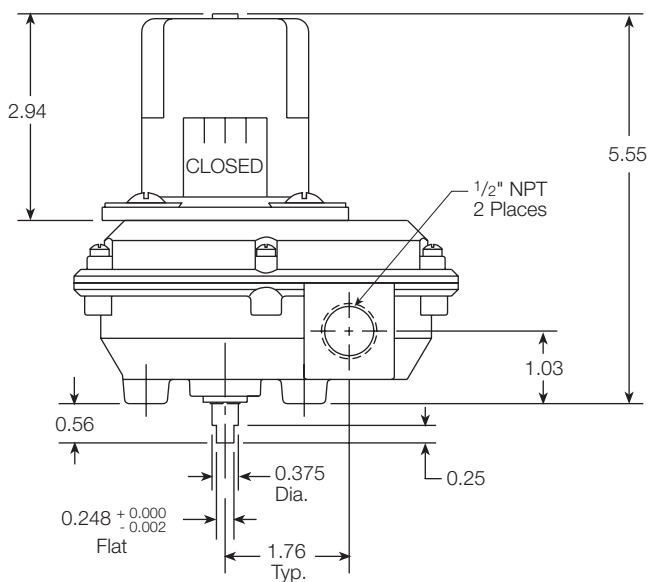
Dimensions Model 1040



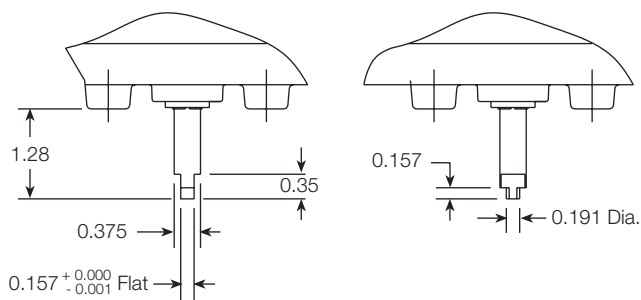
Top View



Bottom View



Side View



Optional NAMUR Shaft

Technical Specifications

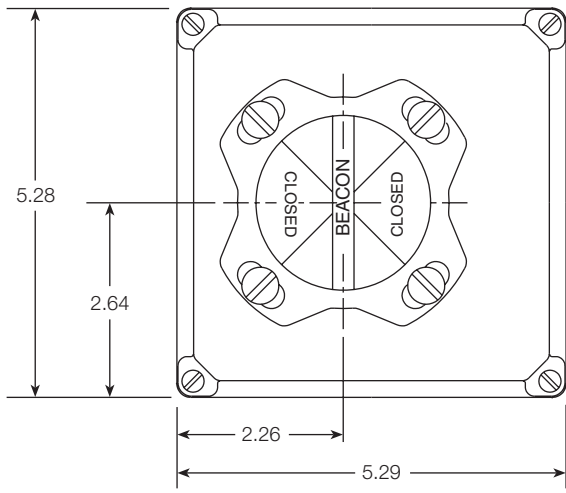
Materials of Construction

- Enclosure Model 1040: Glass filled nylon resin
- Model 2004: Aluminum with polyester powder coat
- Shaft and hardware: Stainless steel
- Internal threaded inserts (Model 1040 only): Brass
- Beacon visual indicator: Co-polyester
- Bushing Model 1040: Nylon
- Model 2004: Oil impregnated bronze

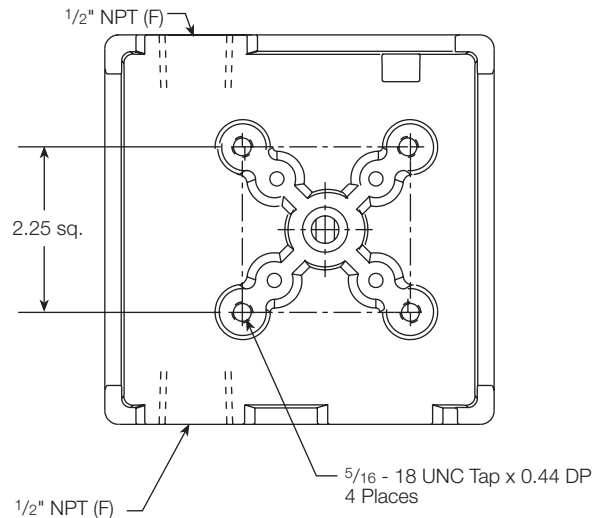
Available Switches

- V3 mechanical switches, SPDT
 - DPDT (Form CC) mechanical switches
- For switch electrical ratings see reference section*

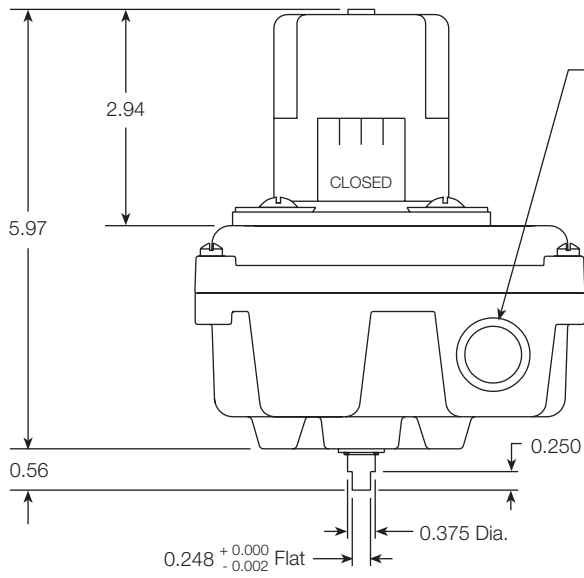
Dimensions Model 2004



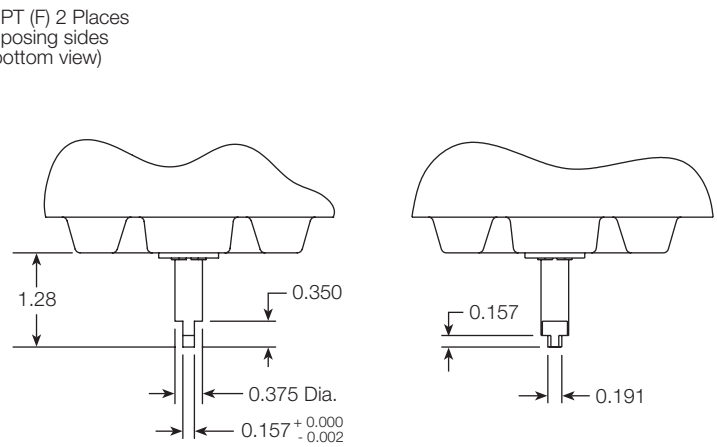
Top View



Bottom View



Side View



Optional NAMUR Shaft

Ordering Guide (Quick ship options are in bold)**Base Model****1040** Engineered Resin Enclosure**2004** Aluminum Enclosure**Shaft Output**

S Standard (Double-D with 1/4" Flats)

N NAMUR

D Direct Mount (Modmount system included for Keystone MRP and 79U actuators)

Beacon**BY BM2-Y (Standard)**

RG BM2-RG

FE BM2-Y-FE (French/English)

AB BM2-B

AR BM2-R

B1 BM3-1

B3 BM3-3

B5 BM3-5

B7 BM3-7

B9 BM3-9

FC Flat Cover

Conduit**2A** Two 1/2" NPT (F)**Position Switches****2M02** Two SPDT Mechanical Switches - 8 pt. TS

2M04 Two DPDT Mechanical Switches - 16 pt. TS (not available in Model 1040)

Analog Position Transmitter**00** None

CS 4-20 mA Position Transmitter - 12 pt. TS w/2 SPDT option and 16 pt. TS w/2 DPDT option (not available in Model 1040)

2004 N BY 2A 2M02 00 = Model Number **2004NBY2A2M0200****USA/Canada:** Saddle Brook, NJ

Ph: 201-794-7650

Dedicated Order Fax: 201-794-4790

General Fax: 201-794-0913

www.westlockcontrols.com**Europe/Asia:** Kent, England

Ph: + 44 189 251 6277

Fax: + 44 189 251 6279

www.westlockuk.com**South America:** Barueri, Sao Paulo

Ph: + 55 11 2588 1400

Fax: + 55 11 2588 1410

www.westlock.com.br

Tyco Flow Control (TFC) provides the information herein in good faith but makes no representation as to its comprehensiveness or accuracy. This data sheet is intended only as a guide to TFC products and services. Individuals using this data sheet must exercise their independent judgment in evaluating product selection and determining product appropriateness for their particular purpose and system requirements. TFC MAKES NO REPRESENTATIONS OR WARRANTIES, EITHER EXPRESS OR IMPLIED, INCLUDING WITHOUT LIMITATION ANY WARRANTIES OF MERCHANTABILITY OR FITNESS FOR A PARTICULAR PURPOSE WITH RESPECT TO THE INFORMATION SET FORTH HEREIN OR THE PRODUCT(S) TO WHICH THE INFORMATION REFERS. ACCORDINGLY, TFC WILL NOT BE RESPONSIBLE FOR DAMAGES (OF ANY KIND OR NATURE, INCLUDING INCIDENTAL, DIRECT, INDIRECT, OR CONSEQUENTIAL DAMAGES) RESULTING FROM THE USE OF OR RELIANCE UPON THIS INFORMATION. Patents and Patents Pending in the U.S. and foreign countries. Tyco reserves the right to change product designs and specifications without notice. All registered trademarks are the property of their respective owners. Printed in the USA.