



Agency Approvals:

Class I, Division 1; Groups A, B, C & D
Class II, Division 1; Groups E, F & G

Product Overview

The Silver Bullet is a Magnum hermetically sealed proximity switch, double encapsulated in a 316 stainless steel enclosure using an epoxy resin and shock absorbent polymer. This helps to create a sensor solution that is highly resistant to shock and vibration stresses and chemical and environmental exposure.

316 – Stainless steel casing, SPDT switch element

316 DB – Stainless steel casing, DPDT switch element

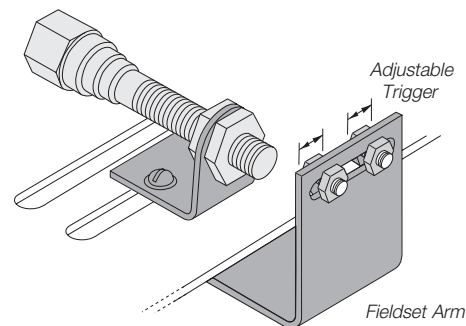
Features and Benefits

- Available with SPDT or DPDT switches.
- Integrated FieldSet trigger system permits easy calibration of position limits.
- Mounting kits available for all control and knife gate valves.
- Standard 4 foot lead accommodates mounting to large valve, with optional 20 foot lead for more remote mounting.
- Rhodium contact option for use with low power I/O's for longer contact life. (See Technical Specifications page 2.)



Maintenance

All Silver Bullets are bolted to heavy duty stainless steel brackets. Sensor triggering is accomplished by stainless steel encapsulated ferromagnetic actuators. Eventually, as valve seats wear, a slight readjustment of position sensors becomes necessary. The Fieldset™ triggering system allows fast resetting by the simple turning of a bolt rather than the disconnecting of rigid conduit systems.

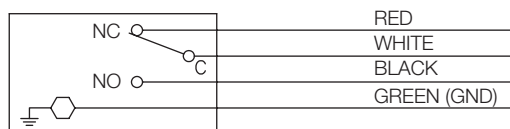
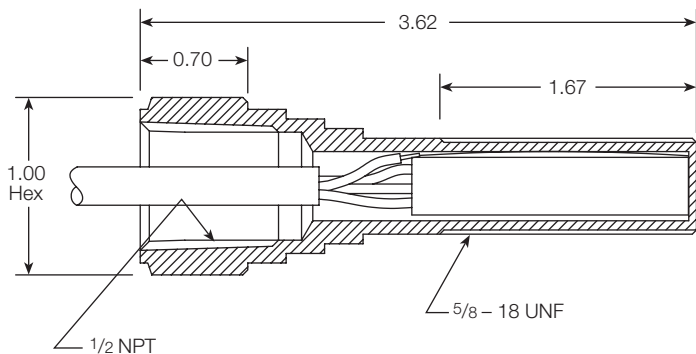


Westlock is either a trademark or registered trademark of Tyco International Services AG or its affiliates in the United States and/or other countries. All other brand names, product names, or trademarks belong to their respective holders.

Westlock™ AccuTrak™ 316 Silver Bullet

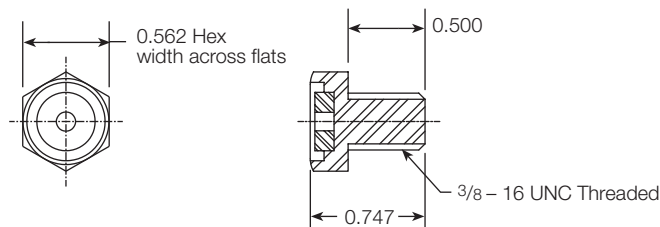
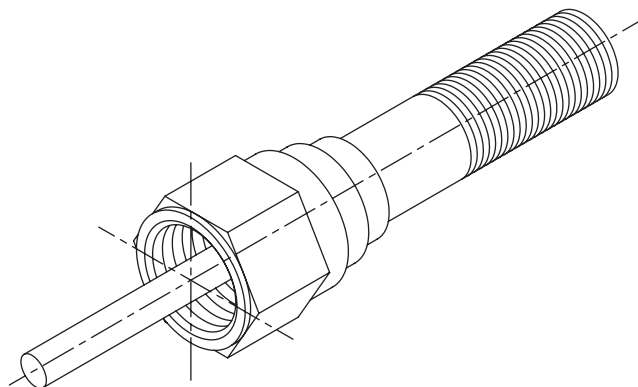
Linear Position Sensor, Explosionproof

Dimensions



SPDT (Form C)

Standard with 4 Foot Lead



Standard Trigger Bolt

Technical Specifications

Enclosure: 316 stainless steel
 Temp. range: -40°F to +220°F
 Operating time: 3.0 milliseconds
 Repeatability: 0.005 inch
 Hysteresis: 0.030 inch
 Hermetic seal: Glass (vacuum)
 Potting: Epoxy resin
 Sensing: 0.100 inch end sensing

Available Switches

- Magnum, SPDT hermetically sealed switches, with Tungsten contacts
- Magnum, SPDT hermetically sealed switches, with Rhodium contacts

Electrical ratings same as XT90 see reference section

Important Application Notes: For very low power sensing applications, Power \leq 240 mW (24 VDC @10 mA for example) Magnum sensors with Rhodium contacts, M12 (SPDT), MUST be used.

Magnum and Sensors Only PLC input modules utilize capacitors to filter out electrical noise. Newer, more sensitive designs have higher input impedances and lower operating currents and thus require higher values of capacitance for filtration.

If the DI card Capacitance \geq 0.01 μ F a resistor of appropriate size MUST be used in series with the switch contacts to prevent the capacitive discharge from damaging the switch contacts. As an alternative, specify the MagPAC. Please contact your sales representative for resistor sizing, capacitance measurement procedure and other required information.

Ordering Guide

Part Number

316	SPDT with 4 ft. lead (standard)
316-20	SPDT with 20 ft. lead
316DB	DPDT with 4 ft. lead
316-R	SPDT with Rhodium contacts with 4' lead (standard)
316-20-R	SPDT with Rhodium contacts with 20' lead
316DB-R	DPDT with Rhodium contacts with 4' lead

USA/Canada: Saddle Brook, NJ

Ph: 201-794-7650

Dedicated Order Fax: 201-794-4790

General Fax: 201-794-0913

www.westlockcontrols.com

Europe/Asia: Kent, England

Ph: + 44 189 251 6277

Fax: + 44 189 251 6279

www.westlockuk.com

South America: Barueri, Sao Paulo

Ph: + 55 11 2588 1400

Fax: + 55 11 2588 1410

www.westlock.com.br

Tyco Flow Control (TFC) provides the information herein in good faith but makes no representation as to its comprehensiveness or accuracy. This data sheet is intended only as a guide to TFC products and services. Individuals using this data sheet must exercise their independent judgment in evaluating product selection and determining product appropriateness for their particular purpose and system requirements. TFC MAKES NO REPRESENTATIONS OR WARRANTIES, EITHER EXPRESS OR IMPLIED, INCLUDING WITHOUT LIMITATION ANY WARRANTIES OF MERCHANTABILITY OR FITNESS FOR A PARTICULAR PURPOSE WITH RESPECT TO THE INFORMATION SET FORTH HEREIN OR THE PRODUCT(S) TO WHICH THE INFORMATION REFERS. ACCORDINGLY, TFC WILL NOT BE RESPONSIBLE FOR DAMAGES (OF ANY KIND OR NATURE, INCLUDING INCIDENTAL, DIRECT, INDIRECT, OR CONSEQUENTIAL DAMAGES) RESULTING FROM THE USE OF OR RELIANCE UPON THIS INFORMATION. Patents and Patents Pending in the U.S. and foreign countries. Tyco reserves the right to change product designs and specifications without notice. All registered trademarks are the property of their respective owners. Printed in the USA.