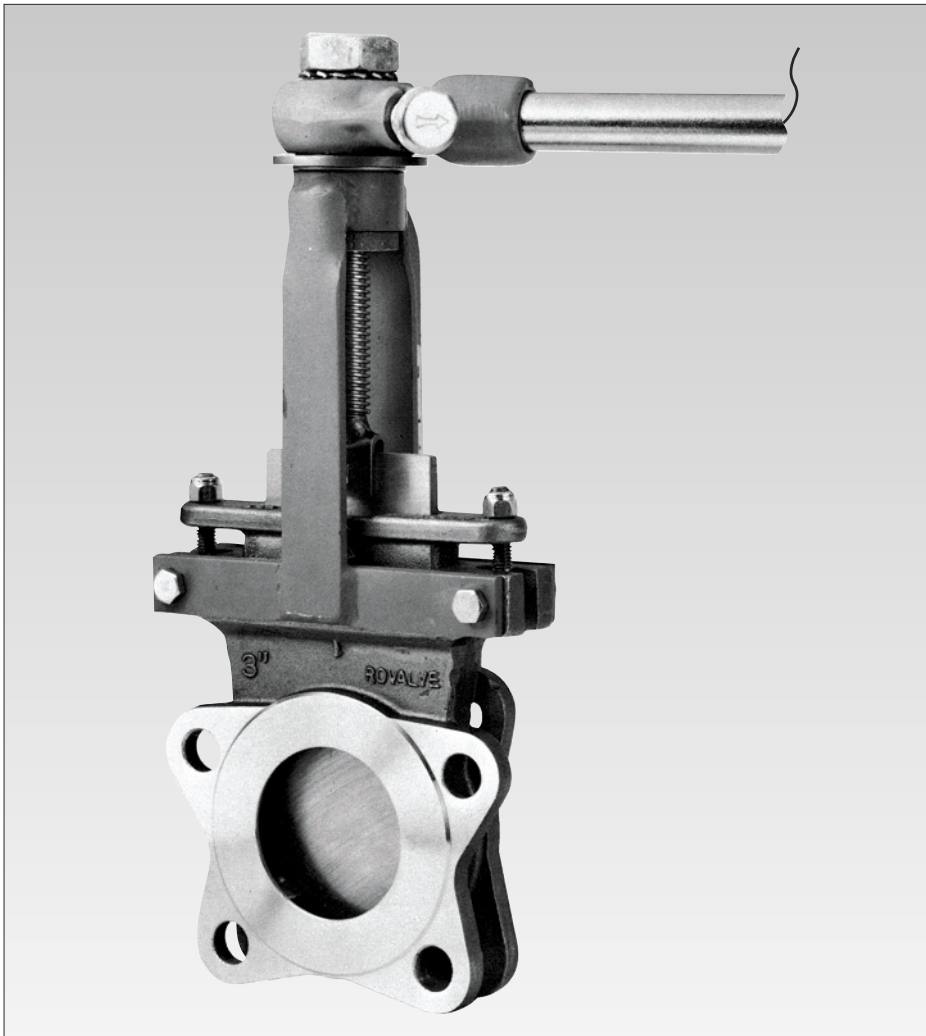


# Rovalve

**Cast stainless steel knife gate valve  
designed specifically for transmitter isolation.**

## Features

- Wafer face-to-face.
- Close-mount yoke.
- Special Tank Side flange drilling allows flush mounting to stock tanks between the tank and the transmitter.
- Special drilling on the tank side will match either 25° or 27° flanges.
- Ratchet operator standard.
- Made with either cast 316 or 317 stainless steel body.
- Beveled gate cuts through solids.
- Precision-machined seat with multiple gate guides provides tight one-way shut-off.
- Standard with Viton® O-ring seat for drip-tight shut-off at test pressure, other elastomers available.
- Standard with five purge locations for flushing the interior of the valve.
- Fabricated valves from any alloy are available.
- Full operation, leakage and cycling tests.
- Certified test reports on request.



## General Applications

- Transmitter isolation
- Pulp and paper

## Technical Data

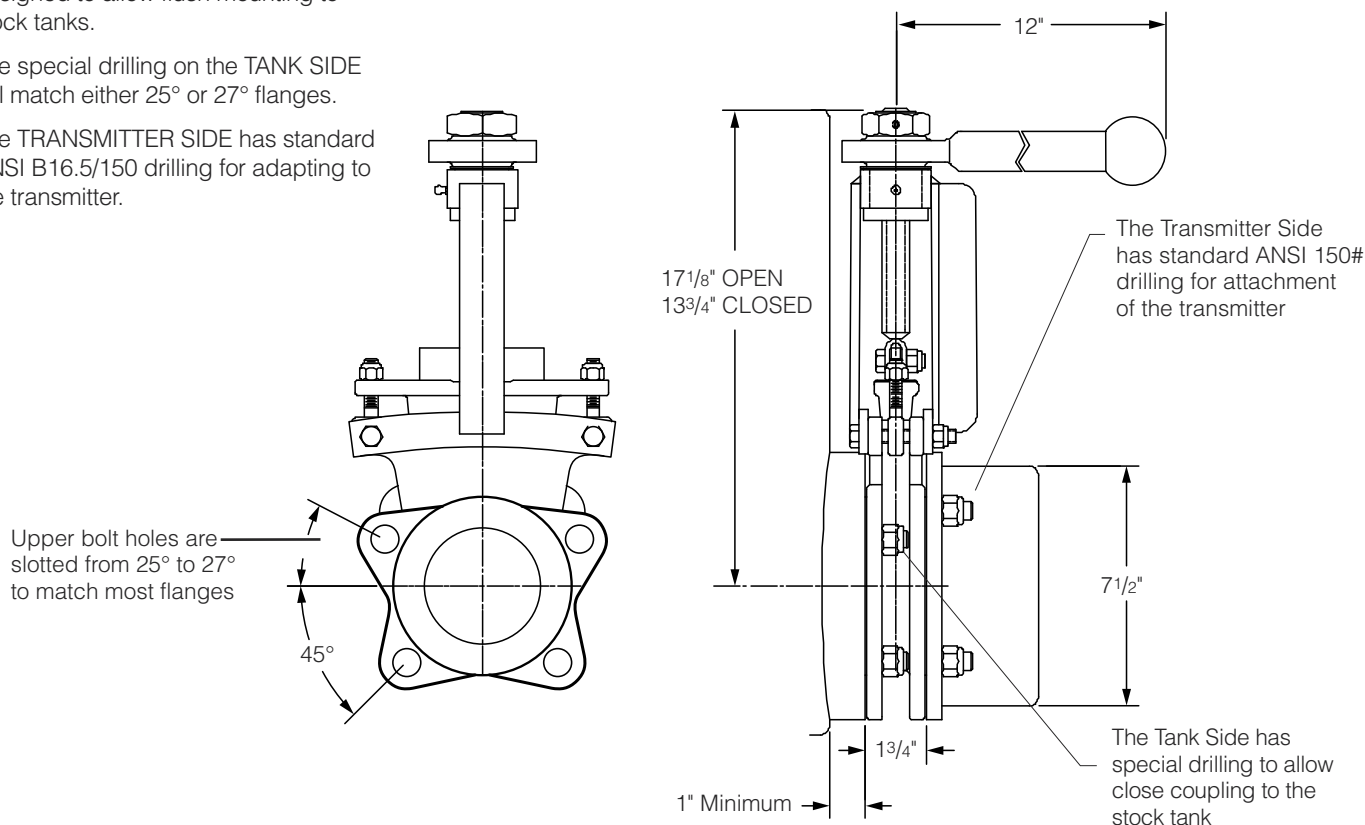
Size range: 3" 150 psi CWP at ambient temperature

Flanges: TRANSMITTER SIDE has ANSI B16.5/150 drilling  
TANK SIDE has special offset drilling to allow close adaptation of transmitter.

# Rovalve Figure TIV

Transmitter Isolation Valve - size 3"

- The Rovalve Figure TIV is unique and is designed to allow flush mounting to stock tanks.
- The special drilling on the TANK SIDE will match either 25° or 27° flanges.
- The TRANSMITTER SIDE has standard ANSI B16.5/150 drilling for adapting to the transmitter.



## Specification

Bonnetless, knife gate valve, 3" diameter, 150 psi design for 150 psi CWP, cast stainless steel body, cast stainless steel packing gland, narrow 1 3/4" face-to-face, with stainless steel finish ground or machined gate with 45 degree bevel and centerline gate notches. Valve seating shall be provided by a Viton® elastomeric O-ring retained in a machined dovetail groove for tight shut-off in one direction with gate guides and seating wedges adequate to withstand full reverse pressure without damage with gate in fully closed position. Multiple layers of braided Teflon® or equal packing in valve chest to deter atmospheric leakage. Body features special flange drilling to allow close coupling of transmitter to tank, with tank side to have upper bolt slots to accommodate either 25° or 27° pattern, transmitter side to be drilled and tapped to ANSI B16.5/150 with machined raised gasket faces. Valve is equipped with a manual ratchet operator assembly featuring a heavy duty, close fit yoke with an acid resistant bronze stem nut including a 304 stainless steel rising stem. All nonferrous exterior surfaces shall be painted to Tyco Flow Control standards. Specify Rovalve Figure TIV from Tyco Flow Control.

## Code of Material

Item	D	K
Seat	Viton®	Viton®
Cast body	316	317
Gate	316	317L
Stem	304	304
Packing gland	316	317L
Packing	PTFE	PTFE
Bolting	304	304
Yoke	304	304
Lever	Carbon steel	Carbon steel

Tyco Flow Control (TFC) provides the information herein in good faith but makes no representation as to its comprehensiveness or accuracy. This data sheet is intended only as a guide to TFC products and services. Individuals using this data sheet must exercise their independent judgment in evaluating product selection and determining product appropriateness for their particular purpose and system requirements. TFC MAKES NO REPRESENTATIONS OR WARRANTIES, EITHER EXPRESS OR IMPLIED, INCLUDING WITHOUT LIMITATION ANY WARRANTIES OF MERCHANTABILITY OR FITNESS FOR A PARTICULAR PURPOSE WITH RESPECT TO THE INFORMATION SET FORTH HEREIN OR THE PRODUCT(S) TO WHICH THE INFORMATION REFERS. ACCORDINGLY, TFC WILL NOT BE RESPONSIBLE FOR DAMAGES (OF ANY KIND OR NATURE, INCLUDING INCIDENTAL, DIRECT, INDIRECT, OR CONSEQUENTIAL DAMAGES) RESULTING FROM THE USE OF OR RELIANCE UPON THIS INFORMATION. Patents and Patents Pending in the U.S. and foreign countries. Tyco reserves the right to change product designs and specifications without notice. All registered trademarks are the property of their respective owners. Printed in the USA.