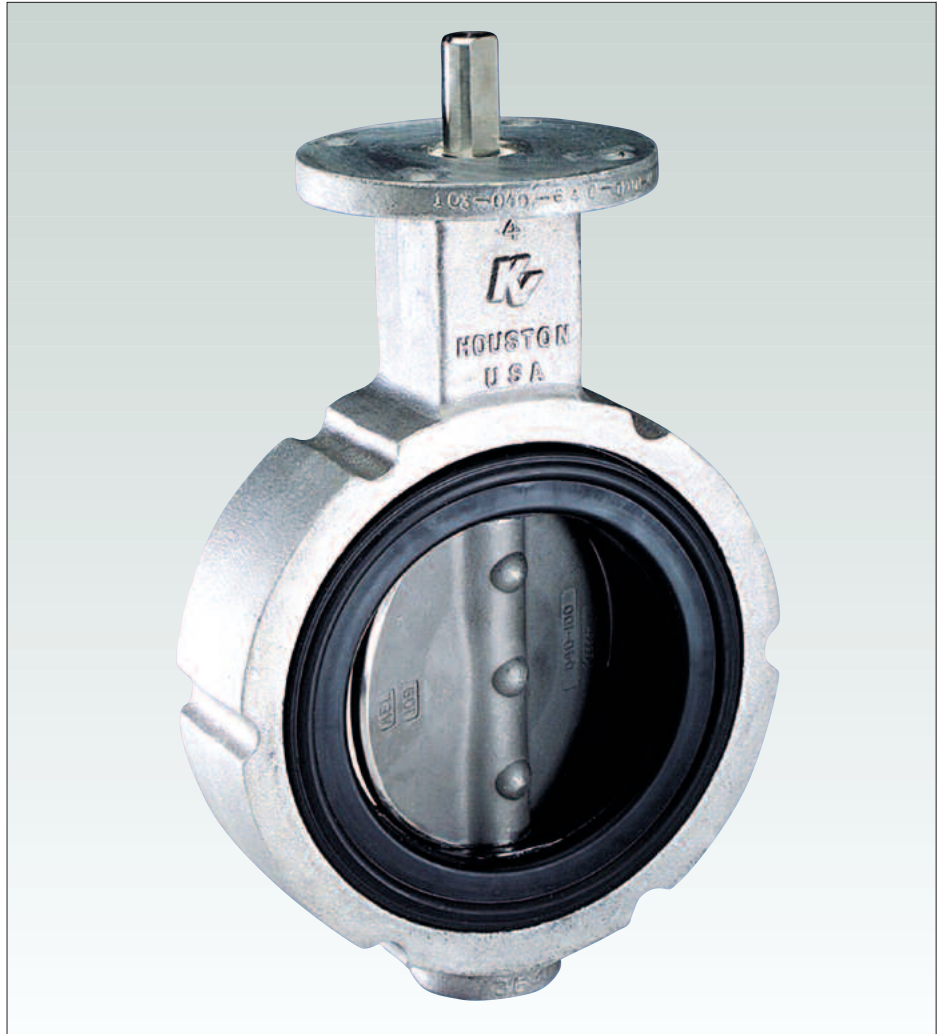


KEYSTONE

Sizes 2 thru 12" to 150 psi

Features and Benefits

- Primary stem seal, formed by preloaded contact of disc hub with flatted seat surfaces, completely isolates stem and body parts from the media.
- Secondary stem seal, formed by an engineered interference fit of the stem through the seat, provides additional sealing integrity.
- Rounded, polished disc edge provides full 360 degrees concentric seating, minimum flow restriction, lower seating and unseating torques and maximum seat life.
- Superior, one-piece thru-shaft design provides high-strength and positive disc control. Shaft ends are standardized for operator interchangeability.
- Self-locking stainless steel disc screws allow quick and easy disassembly and provide a positive, shakeproof connection for maximum torque capacity.
- Molded-in O-ring provides positive seal against standard ANSI flange faces. Replaceable seat, also serving as flange gasket, isolates stem and body parts from the line media.
- Self-adjusting, bi-directional stem seal, located in the upper journal, is suitable for vacuum and pressure, preventing external contamination of the stem area.
- Heavy-duty, corrosion-resistant top bushing, also located in the upper journal, absorbs actuator side thrust.
- Dove-tail seat retention method eliminates the need for bonding, making seat replacement easy and fast. Extra heavy edge section resists tearing.
- Factory testing to 110 percent of specified pressure rating of each valve assures drop-tight shutoff.
- Cast-in top plates are an integral part of the body and are standardized to allow direct mounting of all Keystone actuators.



General Application

The figure 100 is a heavy duty, resilient seated butterfly valve that is ideally suited for many tough applications, such as bulk handling and tank trailers.

Consult factory for appropriate materials for other services.

Technical Data

Size Range : 2" thru 12"

Pressure Rating : 150 psi

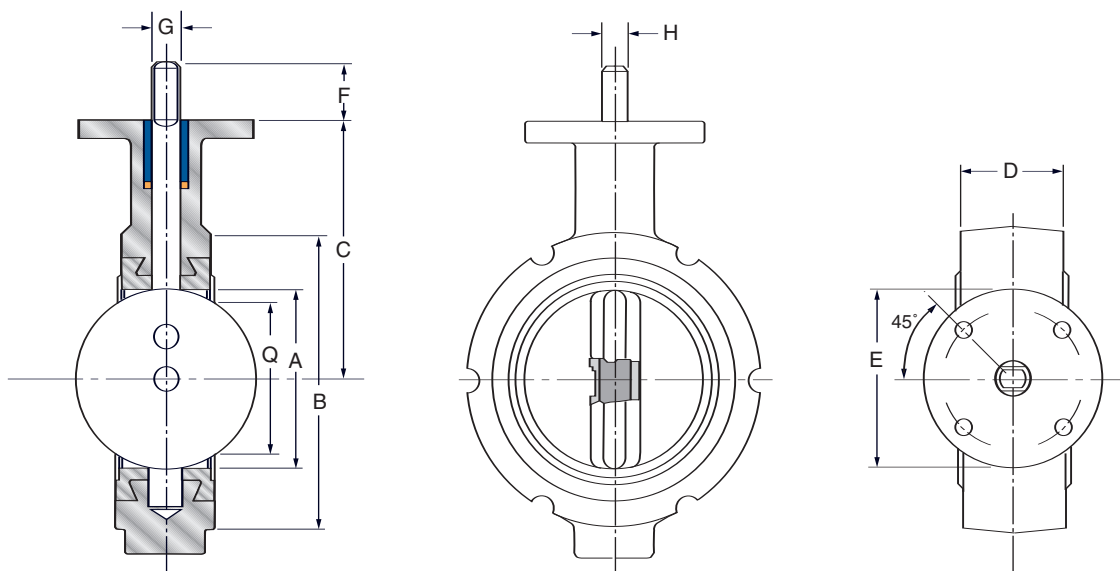
Flange Standard : ANSI 125/150

TTMA drilling available upon request.

Materials of Construction

Body	: Cast Iron
	Aluminum
Disc	: Ductile Iron
	Ductile Iron Nylon Coated
	Aluminum Bronze
	316 Stainless Steel
Stem	: Carbon Steel
	316 Stainless Steel
	17-4PH Stainless Steel
Seat	: NBR
	EPDM
Stem Bushing	: Polyester
Disc Screws	: 316 Stainless Steel
Stem Packing	: NBR

Specifications



Valve Dimensions (inches)

Size	A	B	C	D	Q	E	F	G	H	Key	Top Plate Drilling			Weight (lbs)	Adapt Code
											Bolt Circle	No. Holes	Hole Diam.		
2	2 ¹ / ₈	4 ¹ / ₈	3 ¹⁵ / ₁₆	1 ⁵ / ₈	1 ¹¹ / ₁₆	4	1 ¹ / ₄	9 ¹ / ₁₆	3 ³ / ₈	N/A	3 ¹ / ₄	4	7 ¹ / ₁₆	6	BAB
2 ¹ / ₂	2 ⁹ / ₁₆	4 ⁷ / ₈	4 ¹ / ₂	1 ³ / ₄	2 ³ / ₁₆	4	1 ¹ / ₄	9 ¹ / ₁₆	3 ³ / ₈	N/A	3 ¹ / ₄	4	7 ¹ / ₁₆	8	BAB
3	3 ¹ / ₈	5 ³ / ₈	4 ⁷ / ₈	1 ³ / ₄	2 ⁷ / ₈	4	1 ¹ / ₄	9 ¹ / ₁₆	3 ³ / ₈	N/A	3 ¹ / ₄	4	7 ¹ / ₁₆	6	BAB
4	4 ¹ / ₈	6 ⁷ / ₈	6	2	3 ⁷ / ₈	4	1 ¹ / ₄	5 ⁵ / ₈	7 ¹ / ₁₆	N/A	3 ¹ / ₄	4	7 ¹ / ₁₆	13	BAC
5	5 ³ / ₁₆	7 ³ / ₄	6	2 ¹ / ₈	5	4	1 ¹ / ₄	5 ⁵ / ₈	7 ¹ / ₁₆	N/A	3 ¹ / ₄	4	7 ¹ / ₁₆	15	BAC
6	6 ¹ / ₈	8 ³ / ₄	6 ¹ / ₂	2 ¹ / ₈	6	4	1 ¹ / ₄	5 ⁵ / ₈	7 ¹ / ₁₆	N/A	3 ¹ / ₄	4	7 ¹ / ₁₆	19	BAC
8	8 ¹ / ₈	11	8 ⁵ / ₁₆	2 ¹ / ₂	8	6	1 ¹ / ₄	3 ³ / ₄	1 ¹ / ₂	N/A	5	4	9 ¹ / ₁₆	31	CAD
10	10 ¹ / ₈	13 ³ / ₈	10 ¹ / ₈ ³	2 ¹ / ₂	10 ¹ / ₁₆	6	1 ¹ / ₄	7 ⁷ / ₈	5 ⁵ / ₈	N/A	5	4	9 ¹ / ₁₆	47	CAE
12	12 ³ / ₃₂	16 ¹ / ₈	11 ⁵ / ₈ ³	3	11 ¹⁵ / ₁₆	6	2	1 ¹ / ₈	N/A	1 ¹ / ₄ x 1 ¹ / ₄	5	4	9 ¹ / ₁₆	88	CAF

Notes

1. Valve rated at 150 psi (full disc) and 50 psi (reduced disc) pressure differential in the closed position when bolted between flanges.
2. "Q" dimension is the minimum allowable pipe or flange inside diameter at the centered body face to protect the disc sealing edge against damage when opening the valve.
3. Dimensions for cast iron bodies only. For aluminum bodies, the following applies:

Size Dimensions C (inches)

10"	9
12"	10 ⁹ / ₃₂

Tyco Valves & Controls

www.tycovalves.com

Tyco Flow Control (TFC) provides the information herein in good faith but makes no representation as to its comprehensiveness or accuracy. This data sheet is intended only as a guide to TFC products and services. Individuals using this data sheet must exercise their independent judgment in evaluating product selection and determining product appropriateness for their particular purpose and system requirements. TFC MAKES NO REPRESENTATIONS OR WARRANTIES, EITHER EXPRESS OR IMPLIED, INCLUDING WITHOUT LIMITATION ANY WARRANTIES OF MERCHANTABILITY OR FITNESS FOR A PARTICULAR PURPOSE WITH RESPECT TO THE INFORMATION SET FORTH HEREIN OR THE PRODUCT(S) TO WHICH THE INFORMATION REFERS. ACCORDINGLY, TFC WILL NOT BE RESPONSIBLE FOR DAMAGES (OF ANY KIND OR NATURE, INCLUDING INCIDENTAL, INDIRECT, OR CONSEQUENTIAL DAMAGES) RESULTING FROM THE USE OF OR RELIANCE UPON THIS INFORMATION. Patents and Patents Pending in the U.S. and foreign countries. Tyco reserves the right to change product designs and specifications without notice.