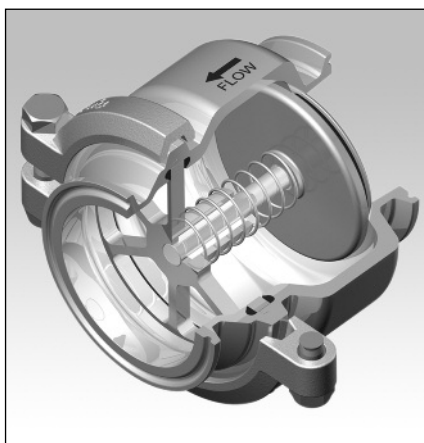


# KEYSTONE

## Stainless steel non-return valve for reverse flow protection.

### Features

- Stainless steel construction.
- In-line cleanability.
- High flow co-efficient values.
- Compact design.
- Easy maintenance.
- Resilient seal for tight shut-off.
- Can be installed in any position.
- End connections available in:
  - Butt Weld or Clamp as standard.
  - Other end connections available upon request.
- Flow direction indicator.



### General Application

Ideal for general process, filling lines and backflow prevention on liquid service.

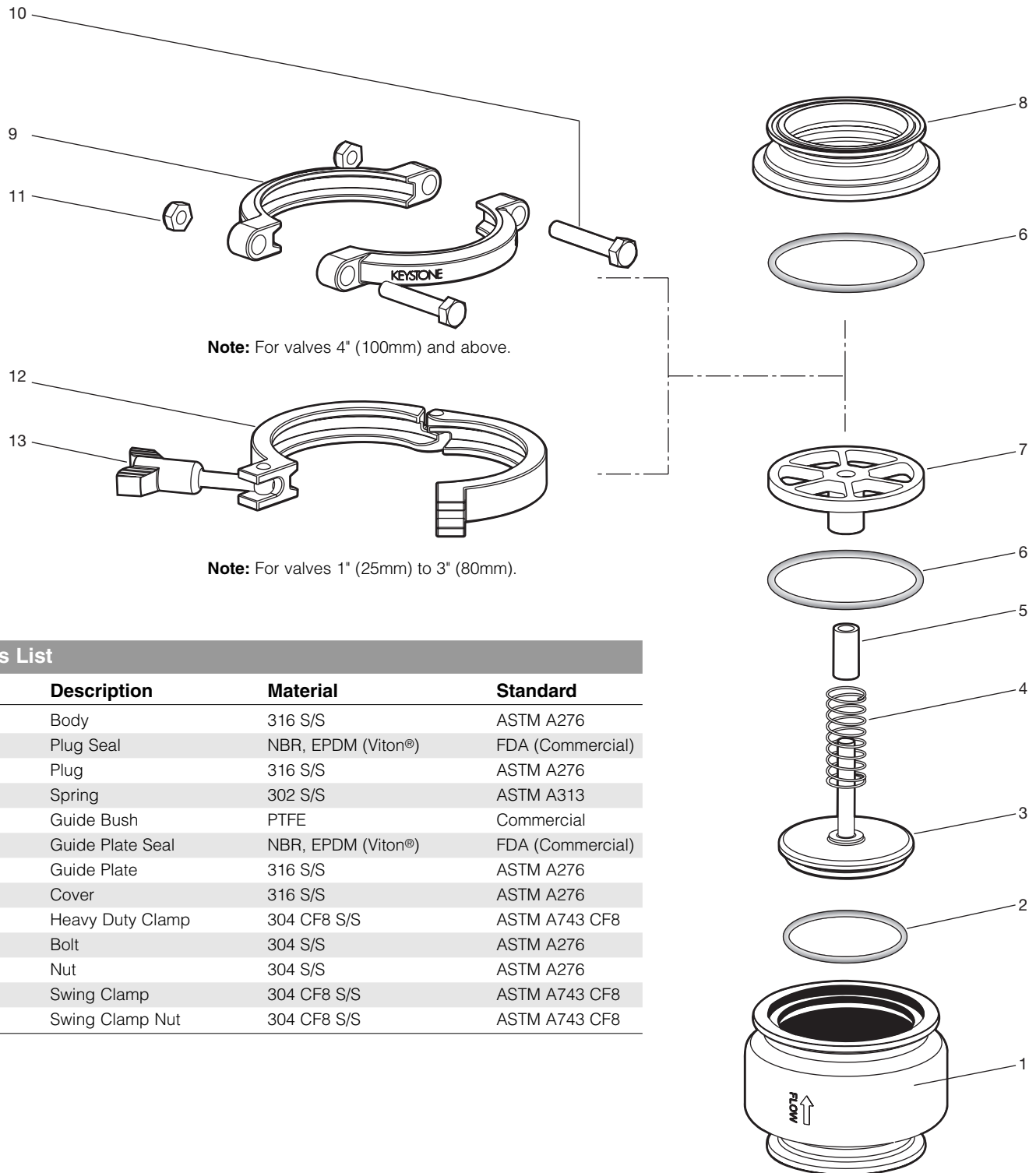
### Technical Data

Max. Pressure @ 20°C  
1000 kPa (10 bar)  
Min. Pressure @ 20°C  
Full Vacuum  
Sizes:  
25mm – 150mm (1" to 6")  
Temperature Range  
minus 10°C to 95°C

# Keystone Hygienic Products – F264J Check Valve

Sizes 1" (25mm) to 6" (150mm)

## Parts and Materials

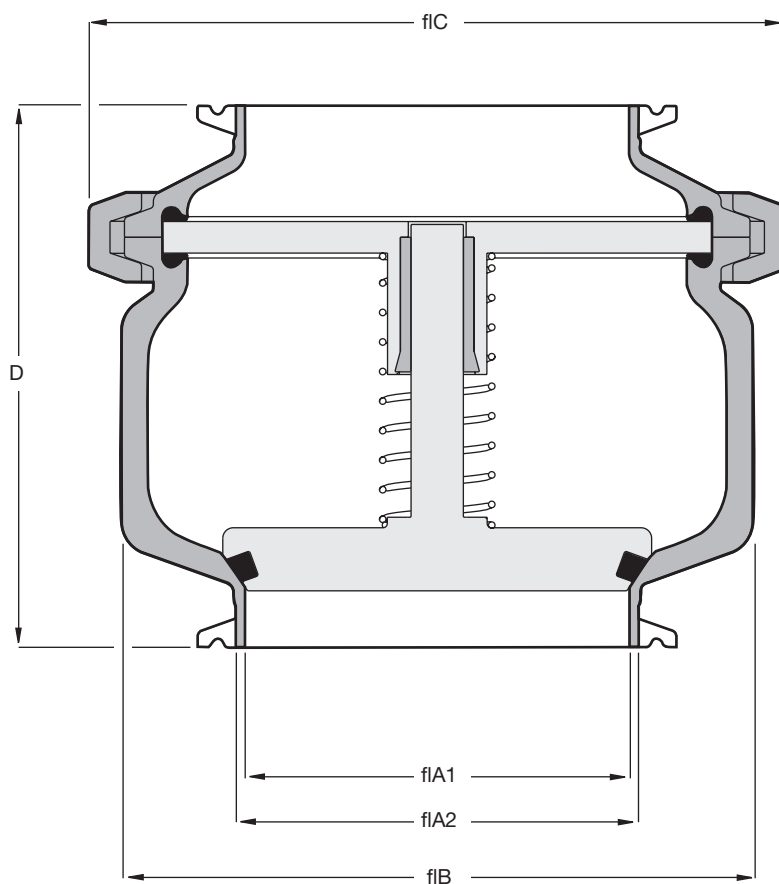


### Parts List

No.	Description	Material	Standard
1	Body	316 S/S	ASTM A276
2	Plug Seal	NBR, EPDM (Viton®)	FDA (Commercial)
3	Plug	316 S/S	ASTM A276
4	Spring	302 S/S	ASTM A313
5	Guide Bush	PTFE	Commercial
6	Guide Plate Seal	NBR, EPDM (Viton®)	FDA (Commercial)
7	Guide Plate	316 S/S	ASTM A276
8	Cover	316 S/S	ASTM A276
9	Heavy Duty Clamp	304 CF8 S/S	ASTM A743 CF8
10	Bolt	304 S/S	ASTM A276
11	Nut	304 S/S	ASTM A276
12	Swing Clamp	304 CF8 S/S	ASTM A743 CF8
13	Swing Clamp Nut	304 CF8 S/S	ASTM A743 CF8

# Keystone Hygienic Products – F264J Check Valve

Sizes 1" (25mm) to 6" (150mm)



## Dimensions (mm)

Valve Size		ØA1		ØA2		ØB	ØC	D
Imperial	Metric	Imperial	Metric	Imperial	Metric			
1"	25mm	22.3	26	25.8	29.2	64	78.3	71.00
1 1/2"	40mm	35.0	38	38.5	41.2	64	78.3	71.00
2"	50mm	47.7	50	51.2	54.4	90	108.0	86.00
2 1/2"	65mm	60.4	66	63.9	70.4	99	108.0	93.00
3"	80mm	73.1	81	76.6	85.4	120	132.5	103.00
4"	100mm	98.5	100	102.0	104.4	152	146.0	113.00
6"	150mm	148.4	150	153.0	154.4	233	216.8	154.75

## Note

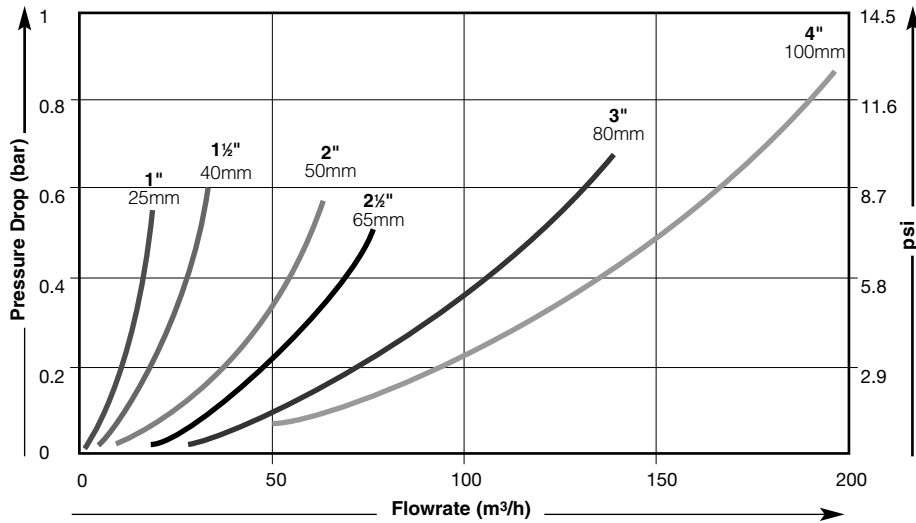
Imperial (inch) conforms to ISO 2037, BS 4825-1 and ISO 2852  
 Metric (mm) conforms to DIN 11850 and DIN 32676

# Keystone Hygienic Products – F264J Check Valve

Sizes 1" (25mm) to 6" (150mm)

## Specifications

### Pressure Drop Graph



### Typical Specifying Sequence

Example      050      F264J      277      CLP/RJT      DRN

#### Valve Size

1"	(025)	DN25
1 1/4"	(032)	DN32
1 1/2"	(040)	DN40
2"	(050)	DN50
2 1/2"	(065)	DN65
3"	(080)	DN80
4"	(100)	DN100
5"	(125)	DN125
6"	(150)	DN150

#### Figure

F264J - Standard Non Return Valve

#### Trim      O-Ring      Body      Guide Bush

275	Nitrile	316L	PVDF
276	Viton®	316L	PVDF
277	EPDM	316L	PVDF
278	FEP	316L	PVDF

#### End Connections

##### Weld Ends

BW - Butt Weld  
 BWD - Butt Weld DIN Tube  
 B25 - Butt Weld 25mm End 1

##### Thread Ends

RJF - RJT Male part (Fabricated)  
 RMF - RJT Male part modified Spigot (Fabricated)

##### Clamp Ends

CLP - Clamp (Machined)  
 C50 - Clamp Machined 50mm Fitting  
 DCL - DIN Clamp End, DIN Sizing

#### Extended Definer

DRN - Body Drain

Tyco Flow Control (TFC) provides the information herein in good faith but makes no representation as to its comprehensiveness or accuracy. This data sheet is intended only as a guide to TFC products and services. Individuals using this data sheet must exercise their independent judgment in evaluating product selection and determining product appropriateness for their particular purpose and system requirements. TFC MAKES NO REPRESENTATIONS OR WARRANTIES, EITHER EXPRESS OR IMPLIED, INCLUDING WITHOUT LIMITATION ANY WARRANTIES OF MERCHANTABILITY OR FITNESS FOR A PARTICULAR PURPOSE WITH RESPECT TO THE INFORMATION SET FORTH HEREIN OR THE PRODUCT(S) TO WHICH THE INFORMATION REFERS. ACCORDINGLY, TFC WILL NOT BE RESPONSIBLE FOR DAMAGES (OF ANY KIND OR NATURE, INCLUDING INCIDENTAL, DIRECT, INDIRECT, OR CONSEQUENTIAL DAMAGES) RESULTING FROM THE USE OF OR RELIANCE UPON THIS INFORMATION. Patents and Patents Pending in the U.S. and foreign countries. Tyco reserves the right to change product designs and specifications without notice. All registered trademarks are the property of their respective owners. Printed in the USA.