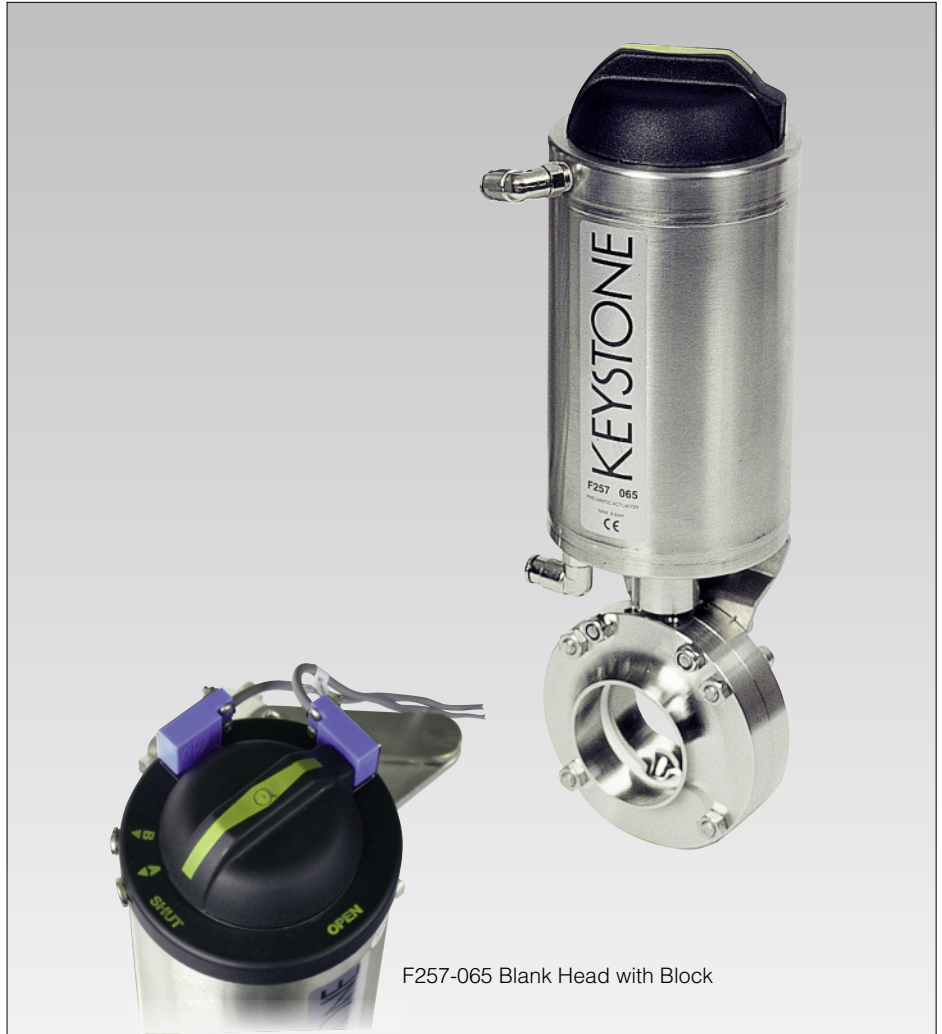


KEYSTONE

The F257-065 is a quarter turn style pneumatic actuator available in direct acting and spring return option.

Features

- Simple robust construction.
- Maintenance friendly with semi-serviceable design.
- Drives from 1" to 2.5" [25mm to 65mm] butterfly valves.
- Easy-fit mounting kit allows actuators to be fitted without plant shutdowns.
- Available in direct acting and spring return configuration.
- Fitted with either High Visibility Indicator or F783 Control Head.



General Applications

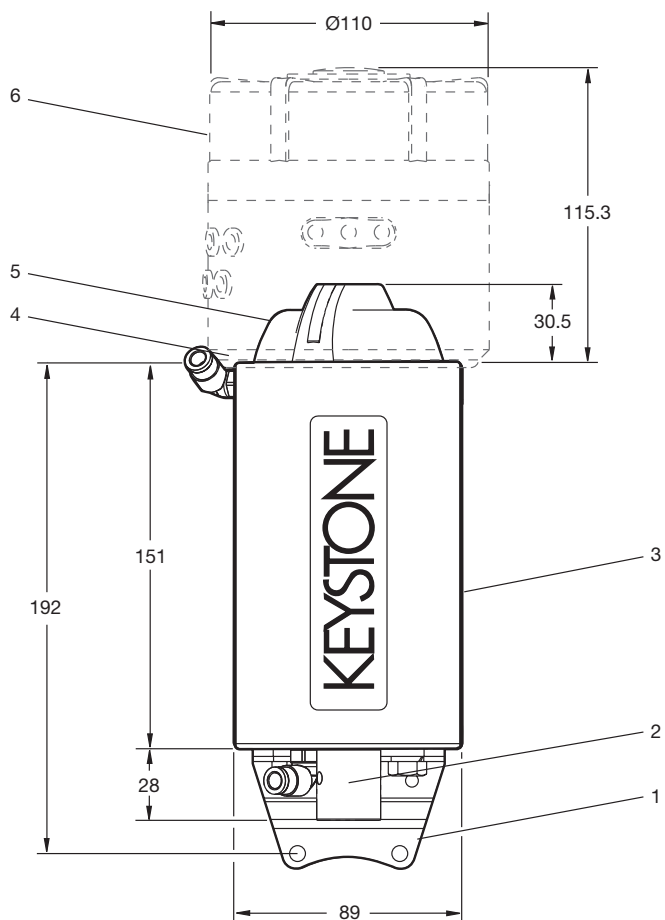
- Brewery
- Dairy
- Winery
- Cannery
- Food processing
- Pharmaceutical
- Chemical
- Beverage

Technical Data

Air Supply
Min: 550 kPa (80 psi)
Max: 800 kPa (115 psi)

Keystone Hygienic Products – Figure 257-065

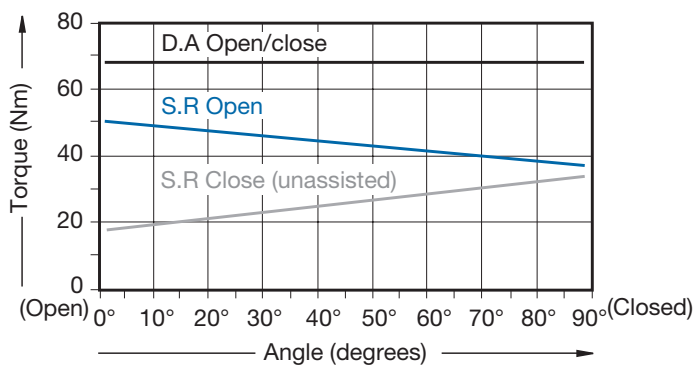
Quarter Turn Actuator



Parts List

No.	Description	Material	Standard
1	Mounting Bracket	304 SS	AISI 304 SS
2	Drive Boss	304 SS	AISI 304 SS
3	Cylinder	304 SS	AISI 304 SS
4	Top Plate	304 SS	AISI 304 SS
5	High Visibility Indicator	Nylon	–
6	F783 Control Head	Nylon	–

Actuator Values



Technical Data

Target Keystone Valve Range

F250 1" to 2.5"

F251 1" to 2"

Typical Sequencing

Example:

F257

065

SR or DA

Figure No.

Size

Configuration

Tyco Flow Control (TFC) provides the information herein in good faith but makes no representation as to its comprehensiveness or accuracy. This data sheet is intended only as a guide to TFC products and services. Individuals using this data sheet must exercise their independent judgment in evaluating product selection and determining product appropriateness for their particular purpose and system requirements. TFC MAKES NO REPRESENTATIONS OR WARRANTIES, EITHER EXPRESS OR IMPLIED, INCLUDING WITHOUT LIMITATION ANY WARRANTIES OF MERCHANTABILITY OR FITNESS FOR A PARTICULAR PURPOSE WITH RESPECT TO THE INFORMATION SET FORTH HEREIN OR THE PRODUCT(S) TO WHICH THE INFORMATION REFERS. ACCORDINGLY, TFC WILL NOT BE RESPONSIBLE FOR DAMAGES (OF ANY KIND OR NATURE, INCLUDING INCIDENTAL, DIRECT, INDIRECT, OR CONSEQUENTIAL DAMAGES) RESULTING FROM THE USE OF OR RELIANCE UPON THIS INFORMATION. Patents and Patents Pending in the U.S. and foreign countries. Tyco reserves the right to change product designs and specifications without notice. All registered trademarks are the property of their respective owners. Printed in the USA.