



Why the seat on this Yarway blow-off valve never leaks or wears out.

There isn't any!!



- **Seatless design** prevents accumulation of scale and sediment that can jam or score a valve seat, giving you greater value and longer leak-free operation.
- **Live loaded packing** assures no leaks in any valve position.
- **Slow opening** design helps you prevent water hammer and sudden temperature shocks.
- **Angle or straightway styles**, cast iron or steel construction, and flanged ends. Maximum blow-off pressure rating of 490 psig.

Call your Authorized Distributor today to order your valve and/or maintenance kits, repair tools.

Ask your Distributor about inspecting your valves and the loan or rental of the repair tools.

Long-Life Maintenance

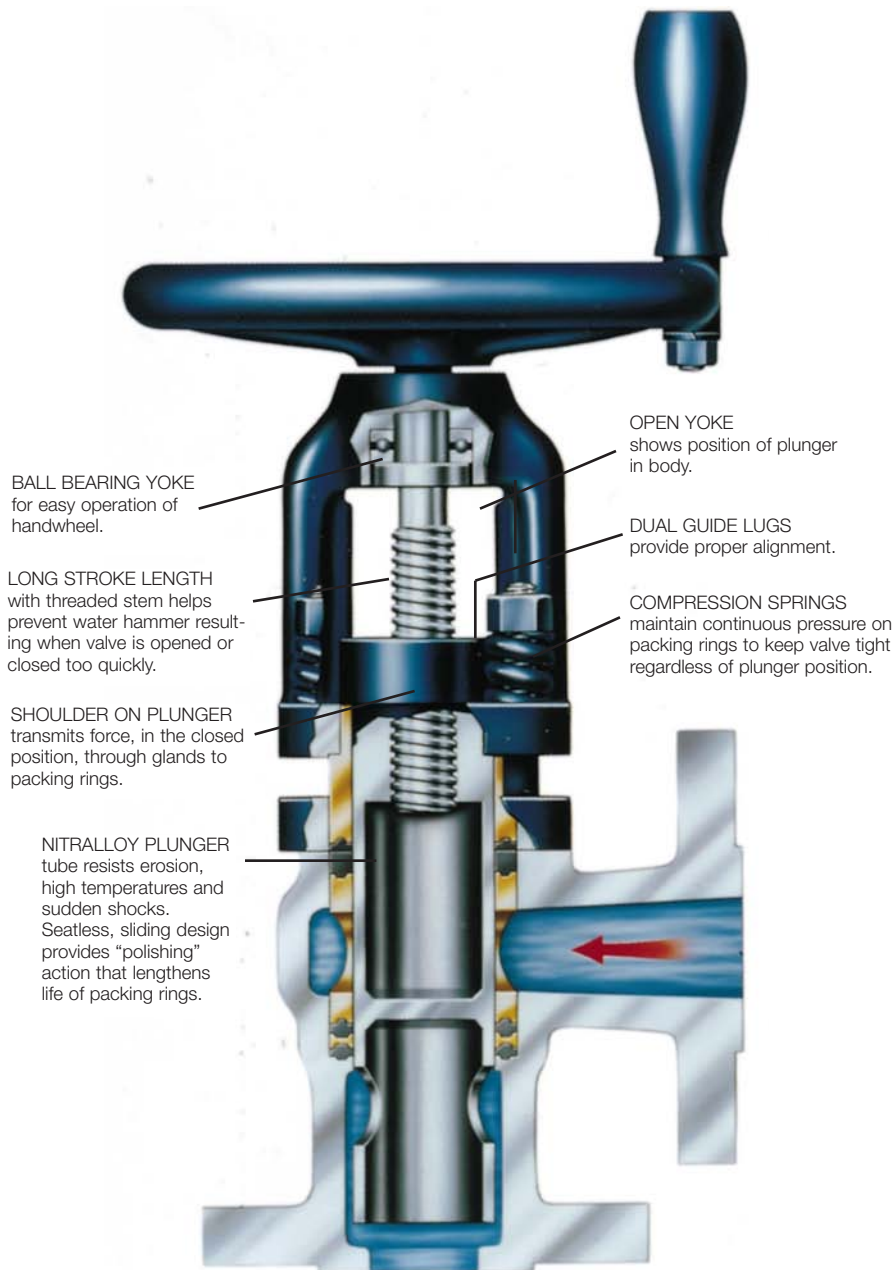
Kits — Even the finest blow-off valve needs periodic maintenance. Maintenance Kit saves time in ordering parts and assures you of genuine Yarway parts for long life of your valves.

Gland and Packing Puller for the Seatless Valve

— Removal of the gland and packing of the seatless blow-off valve becomes an easy operation with Yarway's Gland and Packing Puller tool. Instructions for the tool's use can be found in the instruction manual for the Seatless Blow-off Valve.

The Seatless Blow-Off Valve is a sliding plunger type, opened and closed by means of a handwheel and nonrising stem and sealed against leakage by packing rings above and below the ports.

For complete protection of the packing, the valve has a long-stroke plunger so that the packing is never exposed to the mainstream flow. The gland and plunger have double inlet ports to balance flow pressures.



Operation

When the valve is open (plunger raised) discharge occurs through double ports in the lower gland and plunger. The slotted plunger head slides on guides in the valve yoke, preventing rotation of the plunger. A stop screw keeps the lower gland in alignment. The yoke permits visual indication of the position of the plunger within the valve body.

Upon closing, the shoulder on the plunger exerts a thrust force compressing the packing ring above and below the port in the body. A final hard turn of the handwheel gives additional compression of the packing around the plunger, insuring drop tight shutoff.

In operating Yarway seatless valves in tandem, the valve next to the boiler should be used as the blowing valve, opened last and closed first. The outside or sealing valve should be opened first and closed last.

How to Specify

To specify seatless valves for boiler pressures to 490 psi, use figure number shown. Describe as long stroke, balanced sliding plunger type seatless valve.

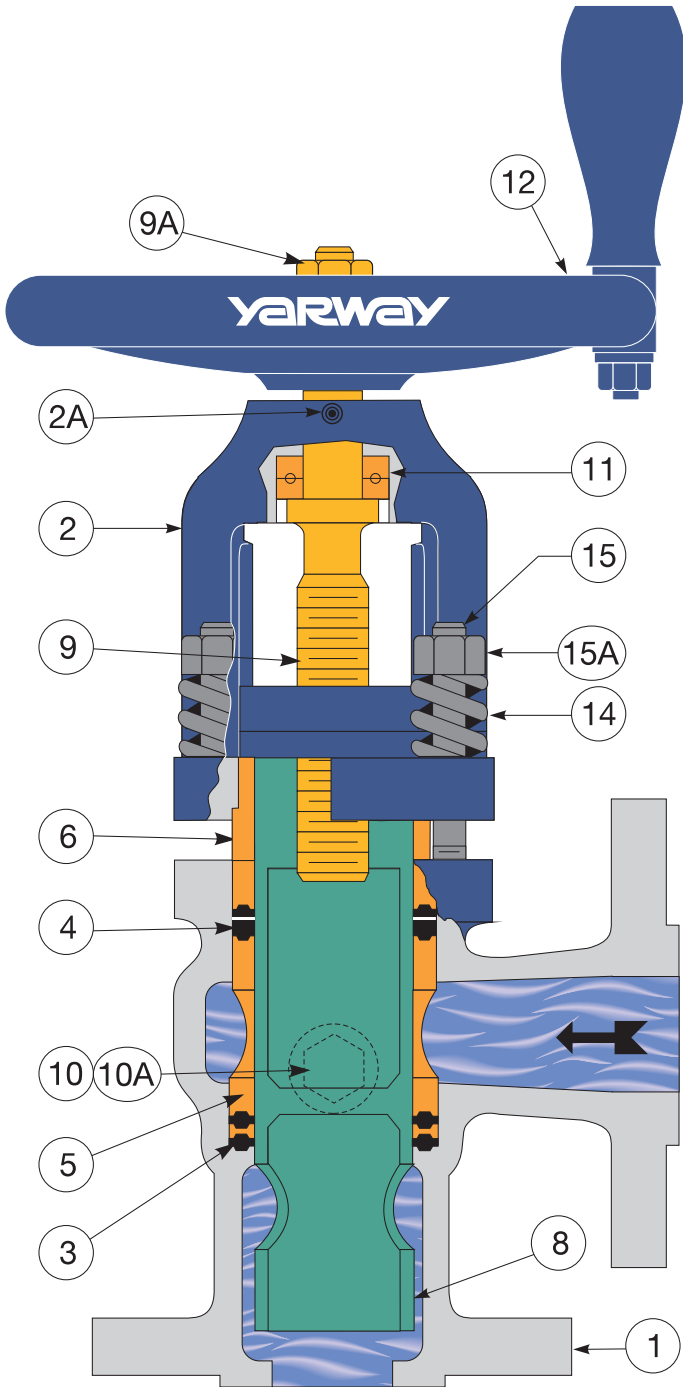
How to Order Valves

Order by stating:
 Size
 Figure Number
 Basic Pressure Rating
 Connections - flanged,
 Angle or Straightway style.

How to Order Parts

When ordering parts, use part numbers and names shown in "Parts and Materials" table, specify size and type of valve, figure number and operating pressure (see nameplate on valve).

Parts/Materials

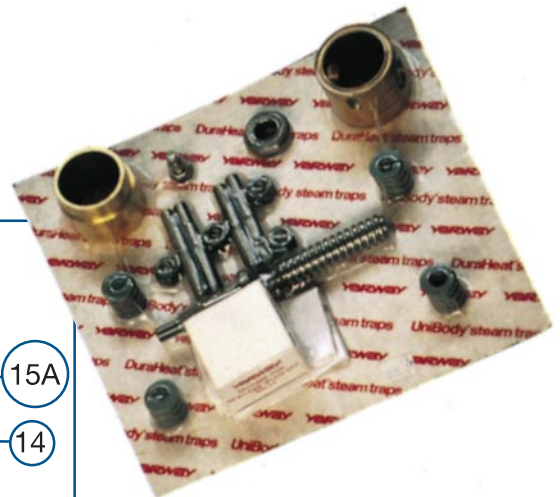
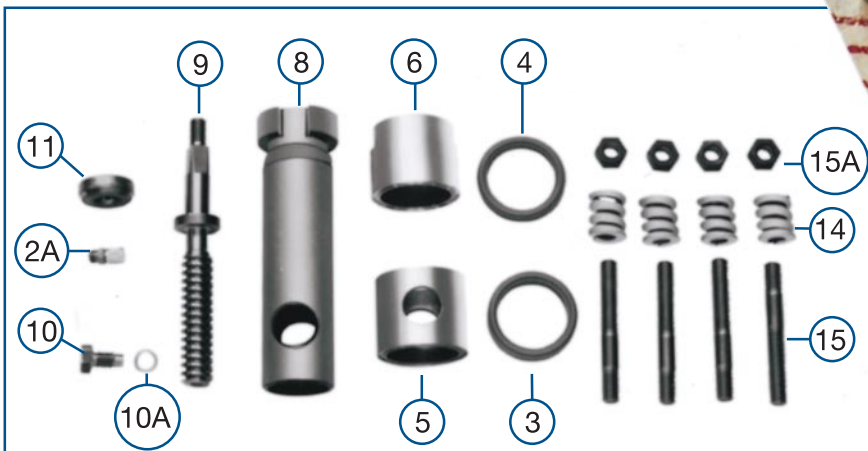


Part #	Part Name
1	Body, Cast Iron ASTM A126, Class B
1	Body, Cast Steel ASME SA216, Grade WCB
2	Yoke, Cast Iron ASTM A395, 60-40-18
2	Yoke, Cast Steel ASME SA216 Grade WCB
2A	Lubrication Fitting
3	Lower Packing Ring Assembly, Non-asbestos
4	Upper Packing Ring Assembly, Non-asbestos
5	Lower Gland, Hard Brass B135, Alloy 3
6	Upper Gland, Hard Brass B135, Alloy 3
8	Plunger Assembly, Nitralloy Grade H
9	Stem
9A	Stem Nut
10	Stop Screw
10A	Stop Screw Gasket
11	Ball Thrust Bearing
12	Handwheel
14	Yoke Springs (4 per set)
15	Yoke Studs (4 per set)
15A	Yoke Stud Nuts (4 per set)

Maintenance kits for Type B valves include the following:

Cast Iron Valve, 250 psi: Upper & lower glands, packing set, springs, studs, nuts, stop screw, stop screw gasket.

Cast Steel Valve, 300 psi & 400 psi: Upper & lower glands, packing set, stem, ball bearing, springs, studs, nuts, stop screw, stop screw gasket.



**Complete
Maintenance Kit
also available**

Dimensions/Weights

FIG. 3482-R
& 3486-R
TYPE B

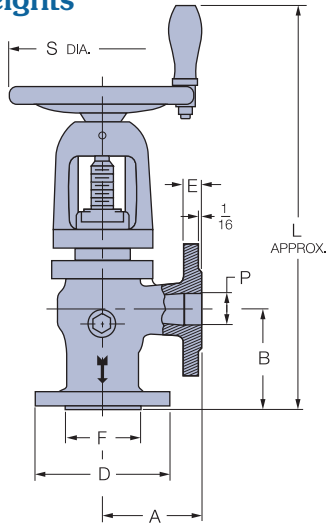
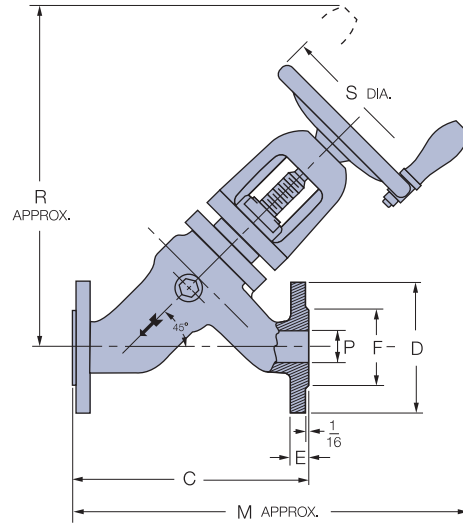


FIG. 3484-R
& 3488-R
TYPE B



Pressure Rating		Figure Rating		Size (in) P	Dimensions (in.)										Cv	Weight (lb.)
Class	Blow-off (max. psig)	Angle	Straight-way		A	B	C	D	E	F	L	M	R	S		
250	200	3482-R	3484-R	1	4	6	10 ¹ / ₄	4 ⁷ / ₈	1 ¹ / ₁₆	2 ¹ / ₁₆	18 ¹ / ₄	17 ¹ / ₄	14 ¹³ / ₁₆	8 ³ / ₈	24	30
				1 ¹ / ₄	4	4	10	5 ¹ / ₄	3 ³ / ₄	3 ¹ / ₁₆	16 ¹ / ₄	17	14 ¹³ / ₁₆	8 ³ / ₈	27	35
				1 ¹ / ₂	4 ¹ / ₂	4 ¹ / ₂	11	6 ¹ / ₈	1 ³ / ₁₆	3 ⁹ / ₁₆	18 ¹ / ₄	18 ¹ / ₂	16	8 ³ / ₈	30	38
				2	5	5	12	6 ¹ / ₂	7 ⁷ / ₈	4 ³ / ₁₆	19 ³ / ₈	19 ⁷ / ₈	17	9 ³ / ₈	58	55
				2 ¹ / ₂	5 ³ / ₄	5 ³ / ₄	13 ¹ / ₂	7 ¹ / ₂	1	4 ¹⁵ / ₁₆	21 ⁷ / ₈	22 ¹ / ₈	19 ¹ / ₂	11	73	85
300	490	3486-R	3488-R	1	3 ¹⁵ / ₁₆	5 ⁵ / ₈	9 ⁷ / ₈	4 ⁷ / ₈	1 ¹ / ₁₆	2	17 ³ / ₄	16 ⁷ / ₈	14 ¹³ / ₁₆	8 ³ / ₈	27	38
				1 ¹ / ₄	4	4	10	5 ¹ / ₄	3 ³ / ₄	2 ¹ / ₂	16 ¹ / ₈	16 ¹⁵ / ₁₆	14 ¹³ / ₁₆	8 ³ / ₈	27	42
				1 ¹ / ₂	4 ⁷ / ₁₆	4 ⁹ / ₁₆	11	6 ¹ / ₈	1 ³ / ₁₆	2 ⁷ / ₈	18 ¹ / ₁₆	18 ¹ / ₂	15 ⁷ / ₈	8 ³ / ₈	30	45
				2	5	5 ¹ / ₄	12	6 ¹ / ₂	7 ⁷ / ₈	3 ⁵ / ₈	19 ⁹ / ₁₆	19 ¹⁵ / ₁₆	17 ³ / ₈	9 ³ / ₈	58	65
				2 ¹ / ₂	5 ³ / ₄	6	13 ¹ / ₂	7 ¹ / ₂	1	4 ¹ / ₈	22 ¹ / ₈	22 ¹ / ₈	19 ¹ / ₂	11	79	90

Yarway Corporation reserves the right to change the designs and materials of its products without notice.

**If you would like to order your spare parts,
new valves, or need help with your
Boiler Blowdown System....**

