

**RIGHT TO KNOW LAWS AND OSHA STANDARD 29CFR (1910.1200)**

**Material Safety Data Sheets on the following Yarway products:  
Valves, Steam Traps and Strainers**

The OSHA Hazard Communication Standard 29CFR 1910.1200, states that the standard does not apply to "inerts." The standard defines an inert as:

"A manufactured item formed to a specific shape or design for a particular use which does not release or otherwise expose an employee to a hazardous chemical under normal conditions of use."

The above named products fall within the definition of an "inert", no Material Safety Data Sheets are available or are required. Our product is manufactured as an "inert product."

If the product is a weld and the following applies:

**WARNING:** Materials used in manufacture of Yarway products are considered in a stable condition when shipped. However, under certain conditions purchases could create potential hazardous conditions by their future operations.

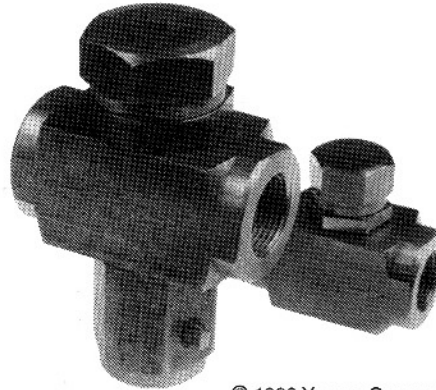
**Caution:** Welding, cutting, burning, machining or grinding of this product can generate toxic dust and fumes of potentially hazardous materials. Use appropriate respiratory protection. Avoid breathing dust, fumes or mist. Use adequate ventilation when grinding or welding. Avoid breathing dust, fumes or mist. Avoid prolonged skin contact with dust or mist. Maintain dust levels below OSHA and ACGIH levels. Use protective devices. Wash hands thoroughly after contact with dust before leaving or smoking.

For emergency information contact:  
GERALD B. ANDERSON, YARWAY CORPORATION, P.O. BOX 11, BLUE BELL, PA. 19422  
PHONE: (610) 825-2100, FAX: (610) 825-1235



Blue Bell, Pennsylvania 19422  
Phone 610-825-2100 • Fax 610-825-1235  
A **tyco** INTERNATIONAL LTD. COMPANY

# How to install repair capsules for series 131 & 31 impulse® steam traps

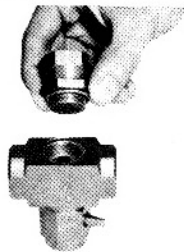


© 1988 Yarway Corporation

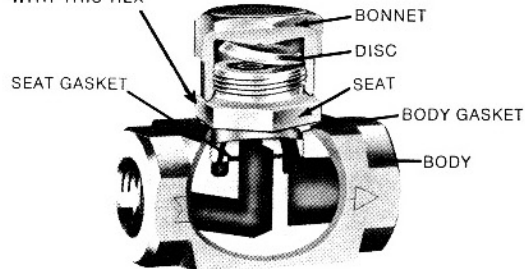
305468 2M 1199

Printed in U.S.A.

## REPAIR PARTS



WHEN INSTALLING COMPLETE REPAIR KIT, TIGHTEN WITH THIS HEX



**Replaceable capsules** are furnished as a complete, ready to use "caged" assembly consisting of the trap bonnet, valve-disc, seat and two gaskets. (Seat gasket is fastened to the seat at the factory.) Capsule comes with thread lubricant already applied. The series 131 and 31 use identical capsules. To order replaceable capsule: Specify size and series number. For capsule prices, consult Yarway distributor or nearest regional office.

3/8" & 1/2" traps use the same capsule and strainer components. When installing the capsule, center the body gasket before applying torque to the seat. Bonnet & seat torques specifications can be found on page 3.

**Installing replaceable capsule**—Clean and inspect gasketing surfaces of trap body and seat. Gaskets will not seal if surfaces are dirty or damaged. Apply

a small amount of thread lubricant to the seat threads. Place body gasket into body recess (gapped face toward body). Make sure seat gasket is in place on bottom of seat. Thread replaceable capsule into body. See table for tightening torques.

### RECOMMENDED TORQUE VALVES

Trap Size	PART	lb-ft	kg-meter
3/8" & 1/2"	Trap Bonnet	40-45	5,5-6,2
	Strainer Bonnet	95-100	13,1-13,8
	Seat	95-100	13,1-13,8
3/4"	Trap Bonnet	55-60	7,6-8,3
	Strainer Bonnet	115-120	15,9-16,6
	Seat	135-140	18,6-19,4
1"	Trap Bonnet	65-70	8,9-9,6
	Strainer Bonnet	135-140	18,6-19,4
	Seat	155-160	21,4-22,6