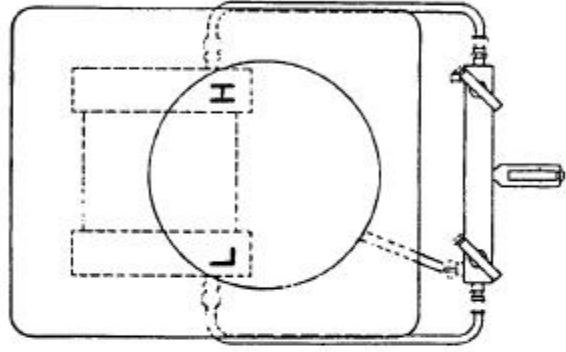
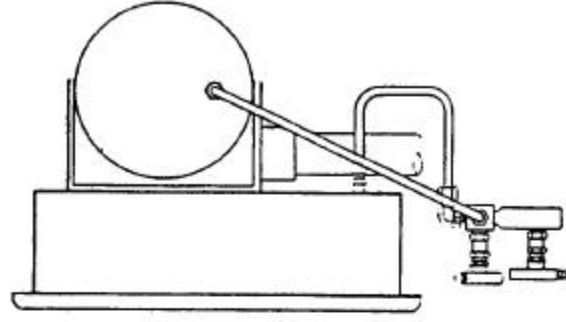


FOXBORO



AMERICAN METER



BARTON

NOTES

1. ALL TUBING KITS HAVE STATIC CONNECTION TO LOW SIDE OF METER.
2. IMPULSE LINES AT ORIFICE TAPS MAY NEED TO BE REVERSED DEPENDING ON FLOW DIRECTION.

**M19 METER MANIFOLD
INSTALLATIONS**



ANDERSON, GREENWOOD & CO.

3950 Greenbriar, Stafford, Texas 77477; P.O. Box 944, 77497-0944
Phone: (713)274-4400, Telex: 0775219, Fax: (713)240-1800

REVISIONS

SYM	PAGE	DESCRIPTION	DWN	CHK	RC	APPROVAL
A		ECR #2-238-03 Report No. 05-9040-107 was Form No. 1234-A 8-82	S. Roska 9-18-82	R. B. ... 9-10-82		J. W. ... 9-16-82